

PRODUCT PROFILE

- Shenzhen Ling'an Wireless Technology Co., Ltd.



2 branches in GUANGDONG

Shenzhen: Shenzhen Ling'an Wireless Technology Co., Ltd.

Shenzhen: Shenzhen Factory

Company Overview

Shenzhen Ling'an Wireless Technology Co., Ltd. is located in Building C, Huafeng Headquarters Economic Mansion, Xixiang Street, Bao'an District, Shenzhen. We have specialized in R&D and manufacturing of consumer wireless electronics since 2008. Our modern production base covers 3,000 m², and is equipped with 4 fully automated production lines achieving an annual capacity of 5+ million units. We currently have 80 employees and a complete team structure including R&D, production, sales, and after-sales divisions, all dedicated to providing customers with professional end-to-end solutions.

Core Offerings

Focused on **consumer wireless electronics**, we have innovatively developed multiple wireless finger remote controllers designed to address the pain points of **short-video** users in the **new media era** (e.g., neck strain, hand fatigue). These solutions tackle common discomforts caused by prolonged close-up phone use. We also offer long-term OEM/ODM customization services, continuously advancing technology to meet diverse market demands.

Corporate Vision

Guided by the principles of "**quality ensures survival, credibility drives cooperation, and efficiency fuels growth**", we aim to become a benchmark enterprise in **consumer electronics** through diversified operations, professional manufacturing, and innovative excellence.

Wireless Remote Controller - short video & selfie

D18

Main Features:

1. Mode of connect to devices: Bluetooth 5.3
2. Compatible systems: iOS & Android
3. Compatible devices: Android phone, Android tablet, iPhone, iPad
4. Usage scenarios:
 - Short video control (TikTok, Instagram, YouTube)
 - Selfie & Recording

Included Components:

- Controller*1
- Type-C cable*1
- Lanyard*1
- Instruction manual *1

Single Package Size: 113*72*30mm

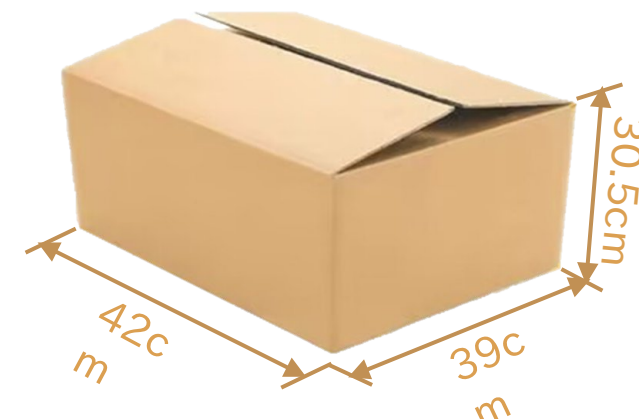
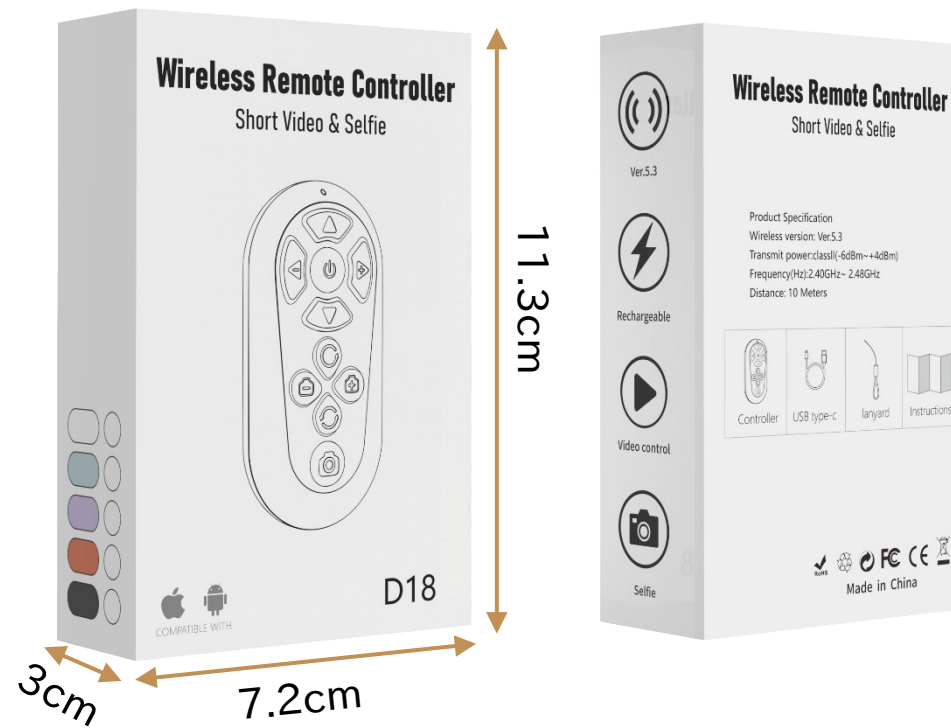
Single Package Weight: 56.6g



Specifications:

Controller:

Bluetooth Version:	Ver.5.3
Material:	ABS
Transmission Power:	ClassII (-6dBm~+4dBm)
Frequency (Hz):	2.40GHz~2.48GHz
Bluetooth Name:	D18
Effective Range :	10 meters
Battery Capacity:	160mAh
Charging Time:	About 1.5 hours
Ring size:	82.7*42.3*16.5 mm
Ring weight:	26g

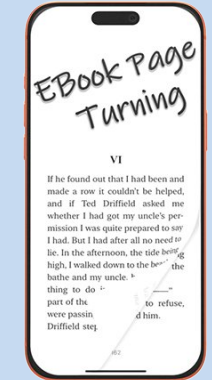


MOQ: 1000 PCS

Transport box size: 42*39*30.5 cm

Packing quantity per box: 200 pcs

Gross weight: ≈12.3 kg



Kindle E-book Page Turning & Short Video Remote Control

D07 Ultra

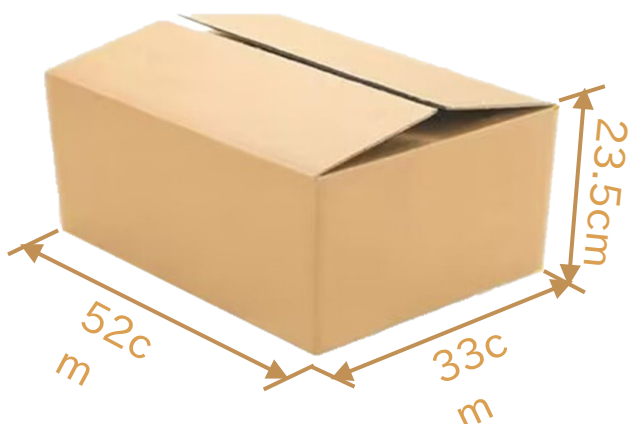
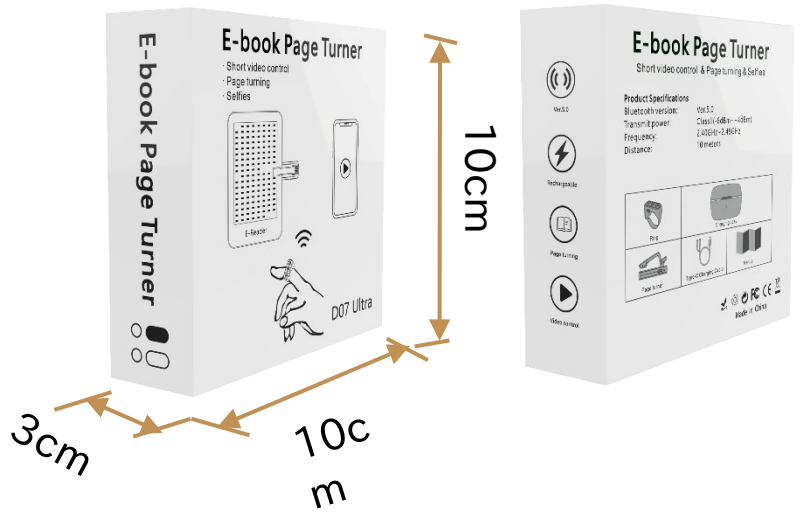
Main Features:

1. Kindle page-turning (Page forward)
2. Mode of connect to devices: Bluetooth 5.0
3. Compatible systems: iOS&Android
4. Compatible devices: Android phone, Android tablet, iPhone, iPad
5. Retractable clip, with a length range of 2.5-3.5 cm
6. Usage scenarios:
 - Short video control (TikTok, Instagram, Youtube)
 - Selfie&recording
 - E-book page turning

Included Components:

- Ring*1
- Charging case*1
- Page turner*1
- Type-C cable*1
- Instruction manual *1

Single Package Size: 100*100*30mm
 Single Package Weight: 94g



Specifications:

Ring:

Bluetooth Version:	Ver.5.0
Material:	ABS
Transmission Power:	ClassII (-6dBm~+4dBm)
Frequency (Hz):	2.40GHz~2.48GHz
Bluetooth Name:	D07 Ultra
Effective Range :	10 meters
Battery Capacity:	25mAh
Charging Time:	About 1.5 hours
Ring size:	25*25*12 mm
Ring weight:	4.5 g

Charging Case:

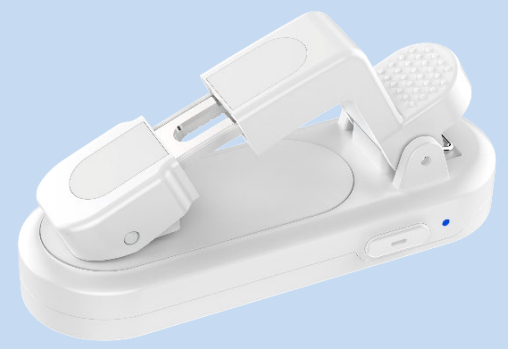
Material	ABS
Battery Capacity:	250mAh
Charging Time:	About 1.5 hours
Charging Interface:	Type-C
Charging case size:	42.5*42.5*25.2 mm
Charging case weight:	24.4 g

Page Turner:

Material	ABS
Battery Capacity:	250mAh
Charging Time:	About 1.5 hours
Charging Interface:	Type-C
Size:	56*21*27 mm
Weight:	15 g

Up to **10 hours** of battery life with a single charge.
 The charging case can charge the ring for **5 times**.

MOQ: 1000 PCS
 Transport box size: 52*33*23.5 cm
 Packing quantity per box: 150 pcs
 Total weight: ≈15.1 kg



Kindle E-book Page Turning & Short Video Remote Control

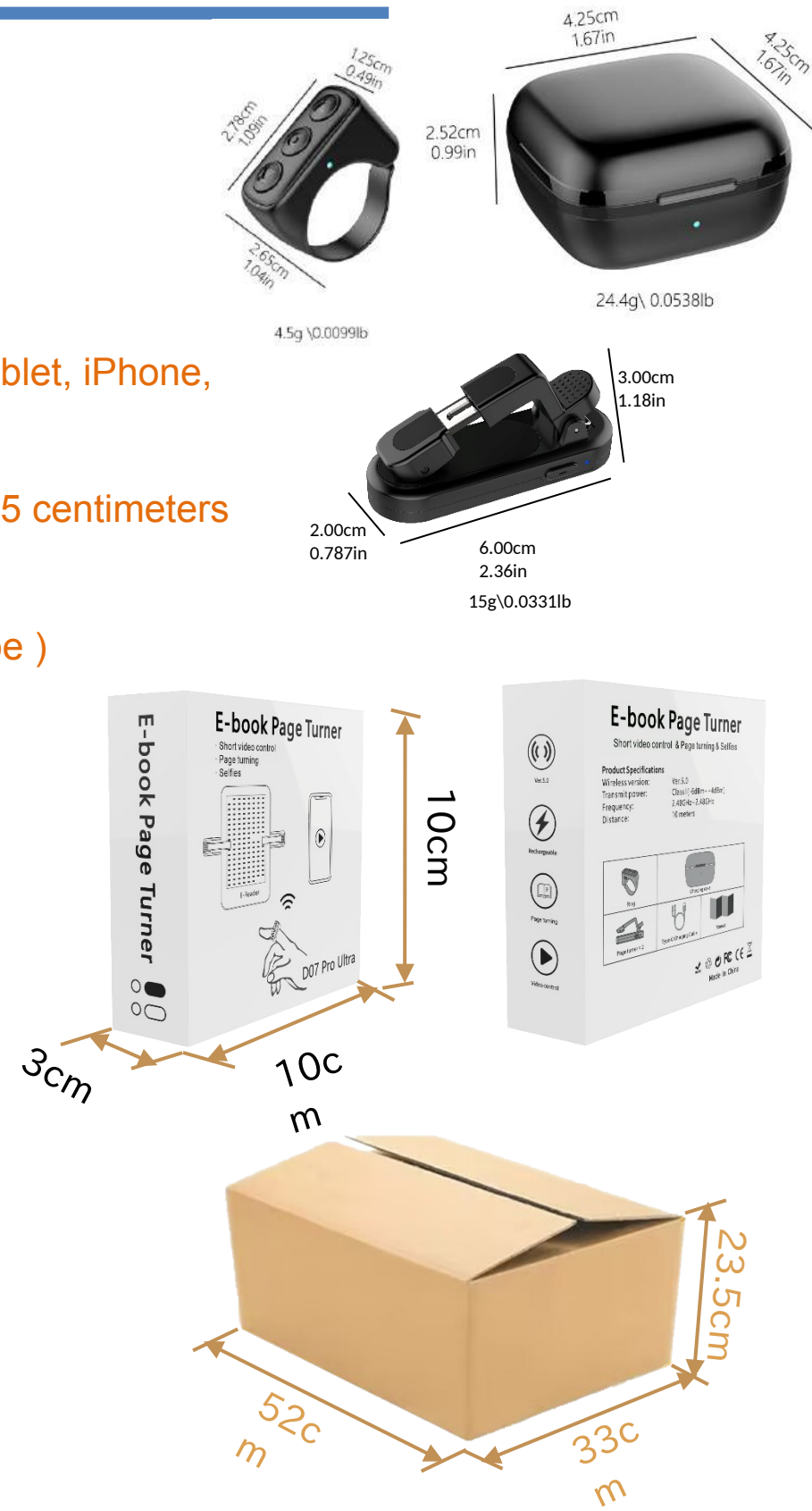
D07 Pro Ultra

Main Features:

1. Kindle page-turning
2. Mode of connect to devices: Bluetooth 5.0
3. Compatible systems: iOS, Android
4. Compatible devices: Android phone, Android tablet, iPhone, iPad
5. Retractable clip, with a length range of 2.5 to 3.5 centimeters
- 6 Usage scenarios:
 - Short video control (TikTok, Instagram, Youtube)
 - Selfie&recording
 - E-book page turning

Included Components:

- Ring*1
 - Charging case*1
 - Page Turner*2
 - Type-C cable*1
 - Instruction manual *1
- Single package size: 100*100*30 mm
Single package weight: 109 g



Specifications:

Ring:

Bluetooth Version:	Ver.5.0
Material	ABS
Transmission Power:	ClassII(-6dBm~+4dBm)
Frequency (Hz):	2.40GHz~2.48GHz
Bluetooth Name:	D07 Pro Ultra
Effective Range:	10 meters
Battery Capacity:	25mAh
Charging Time:	About 1.5 hours
Ring size:	25*25*12 mm
Ring weight:	4.5 g

Charging Case:

Material	ABS
Battery Capacity:	250mAh
Charging Time:	About 1.5 hours
Charging Interface:	Type-C
Charging case size:	42.5*42.5*25.2 mm
Charging case weight:	24.4 g

Page Turner:

Material	ABS
Battery Capacity:	250mAh
Charging Time:	About 1.5 hours
Charging Interface:	Type-C
Size:	56*21*27 mm
Weight:	15.5 g

Up to **10 hours** of battery life with a single charge.
The charging case can charge the ring for **5 times**.

MOQ: 1000 PCS

Transport box size: 61*38*26 cm
Packing quantity per box: 150 pcs
Gross weight: ≈17.35 kg



Kindle E-book Page Turning & Short Video Remote Control

A07 Ultra

Main Features:

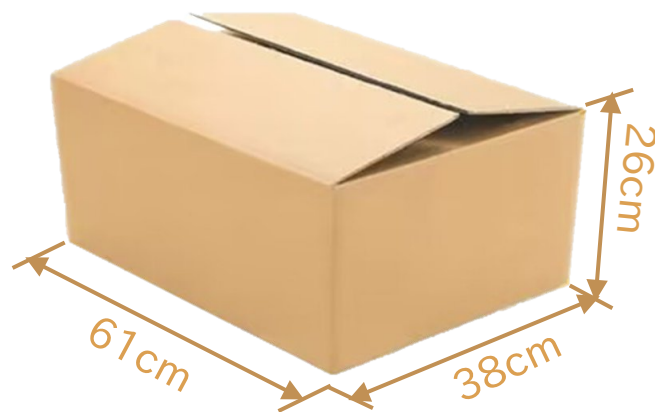
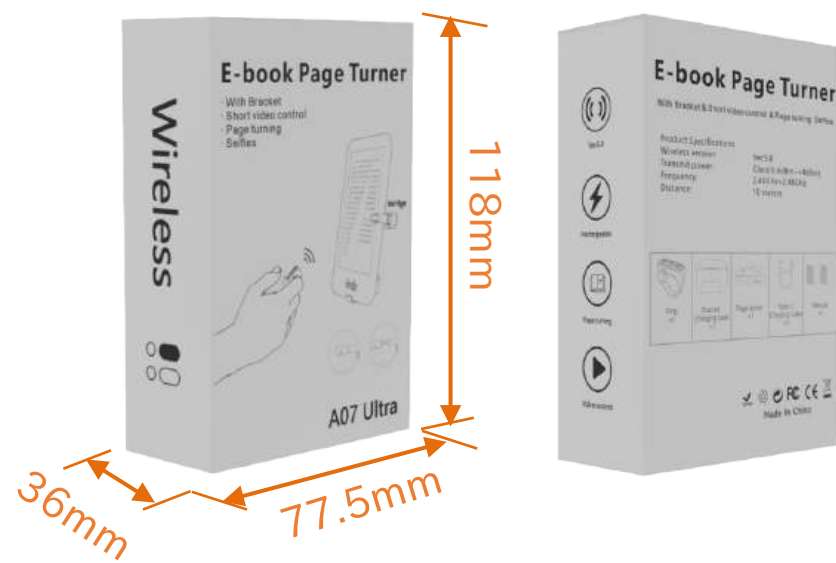
1. Kindle page-turning (Page forward)
2. Mode of connect to devices: Bluetooth 5.0
3. Compatible systems: iOS & Android
4. Compatible devices: Android phone, Android tablet, iPhone, iPad
5. Retractable clip, with a length range of 2.5-3.5 cm
6. Usage scenarios:
 - Short video control (TikTok, Instagram, Youtube)
 - Selfie & recording
 - E-book page turning

Included Components:

- Ring*1
- Charging case*1
- Page turner*1
- Type-C cable*1
- Instruction manual *1

Single Package Size: 118*77.5*36 mm

Single Package Weight: 92.2 g



Specifications:

Ring:

Bluetooth Version: Ver.5.0
 Material: ABS
 Transmission Power: Class II (-6dBm ~ +4dBm)
 Frequency (Hz): 2.40GHz ~ 2.48GHz

Bluetooth Name: A07 Ultra
 Effective Range: 10 meters
 Battery Capacity: 25mAh
 Charging Time: About 1.5 hours
 Ring size: 25*25*12 mm
 Ring weight: 4.5 g

Charging Case:

Material: ABS
 Battery Capacity: 250mAh
 Charging Time: About 1.5 hours
 Charging Interface: Type-C
 Charging case size: 41.9*41.9*21 mm
 Charging case weight: 24.9 g

Page Turner:

Material: ABS
 Battery Capacity: 250mAh
 Charging Time: About 1.5 hours
 Charging Interface: Type-C
 Size: 56*21*27 mm
 Weight: 15 g

Up to **10 hours** of battery life with a single charge.
 The charging case can charge the ring for **5 times**.

MOQ: 1000 PCS

Transport box size: 61*38*26 cm

Packing quantity per box: 150 pcs

Gross weight: ~15 kg



Kindle E-book Page Turning & Short Video Remote Control

A07 Pro Ultra

Main Features:

1. Kindle page-turning
2. Mode of connect to devices: Bluetooth 5.0
3. Compatible systems: iOS, Android
4. Compatible devices: Android phone, Android tablet, iPhone, iPad
5. Retractable clip, with a length range of 2.5 to 3.5 centimeters
- 6 Usage scenarios:
 - Short video control (TikTok, Instagram, Youtube)
 - Selfie&recording
 - E-book page turning

Included Components:

- Ring*1
- Charging case*1
- Page Turner*2
- Type-C cable*1
- Instruction manual *1

Single package size: 118*77*36 mm

Single package weight: 107.2 g



Specifications:

Ring:

Bluetooth Version:	Ver.5.0
Material	ABS
Transmission Power:	ClassII(-6dBm~+4dBm)
Frequency (Hz):	2.40GHz~2.48GHz
Bluetooth Name:	A07 Pro Ultra
Effective Range:	10 meters
Battery Capacity:	25mAh
Charging Time:	About 1.5 hours
Ring size:	25*25*12 mm
Ring weight:	4.5 g

Charging Case:

Material	ABS
Battery Capacity:	250mAh
Charging Time:	About 1.5 hours
Charging Interface:	Type-C
Charging case size:	41.9*41.9*21 mm
Charging case weight:	24.9 g

Page Turner:

Material	ABS
Battery Capacity:	250mAh
Charging Time:	About 1.5 hours
Charging Interface:	Type-C
Size:	56*21*27 mm
Weight:	15.5 g

Up to **10 hours** of battery life with a single charge.
The charging case can charge the ring for **5 times**.

MOQ: 1000 PCS

Transport box size: 61*38*26 cm

Packing quantity per box: 150 pcs

Gross weight: ≈17 kg



Multi-functional Air Laser Mouse

D13

Main Features:

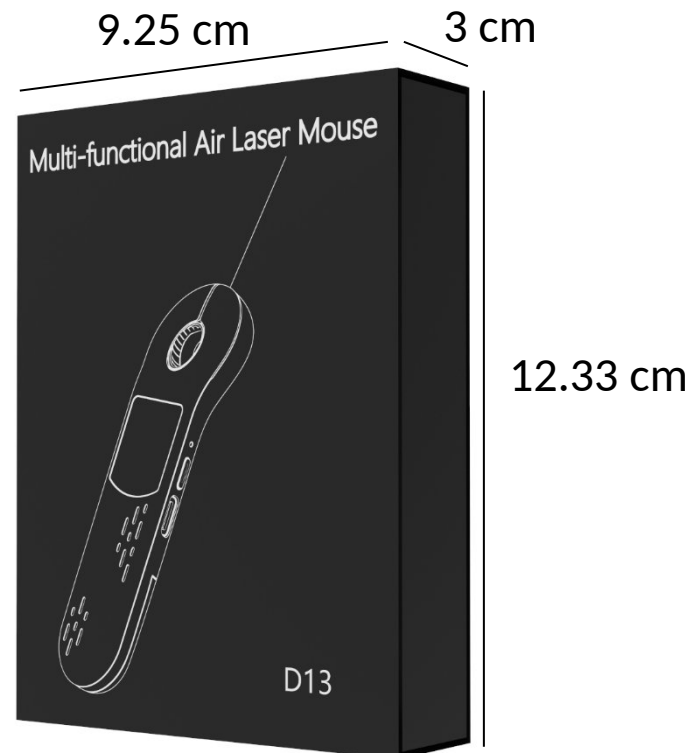
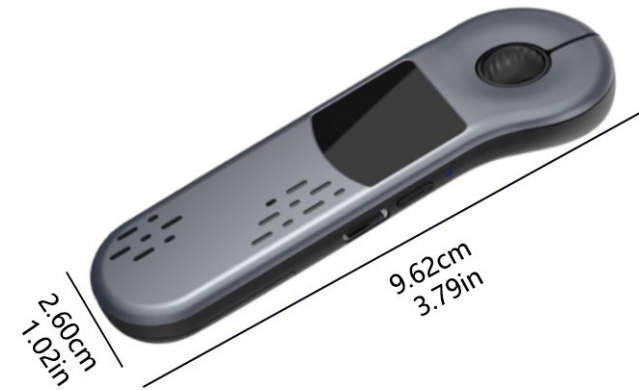
1. Mode of connect to devices: Bluetooth 5.3
2. Compatible systems: iOS, MacOS, Android, Windows,
3. Compatible devices: Android phone, Android tablet, iPhone, iPad, Desktop computer, Laptop computer
3. Usage scenarios:
 - Web browsing
 - PowerPoint/Keynote page-turning
 - Short video control (TikTok, Instagram, YouTube)
 - Selfie&recording
 - E-book App page turning

Included Components:

- Mouse*1
- Type-C cable*1
- Instruction manual *1
- Quick Start Guide *1

Single package size: 12.33*9.25*3 cm

Single package Weight: 112.2 g



Specifications:

Mouse:

Bluetooth Name:	D13
Material	ABS
Bluetooth Version:	Ver.5.3
Transmission Power:	ClassII(-6dBm~+4dBm)
Frequency (Hz):	2.40GHz~2.48GHz
Effective Range:	10 meters
Battery Capacity:	150mAh
Charging Time:	About 1.5 hours
Mouse size:	96.2*26.0*14.7 mm
Mouse weight:	22.2 g
Charging Interface:	Type-C

Battery life

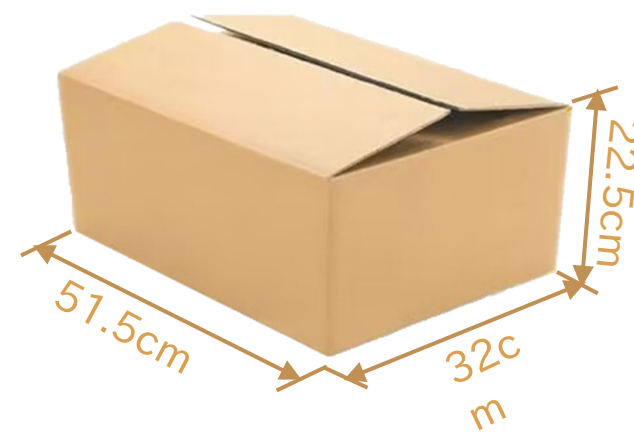
Charge and discharge the battery more than 500 times.

MOQ: 1000 PCS

Transport box size: 51.5*32*22.5cm

Packing quantity per box: 80 pcs

Gross weight: ≈10 kg



Multi-functional Air Laser Mouse

D13 Pro

Main Features:

1. Dual-mode connection device: Bluetooth 5.3 and 2.4G wireless
2. Compatible systems: iOS, MacOS, Android, Windows,
3. Compatible devices: Android phone, Android tablet, iPhone, iPad, Desktop computer, Laptop
3. Usage scenarios:
 - Web browsing
 - PowerPoint/Keynote page-turning
 - Short video control (TikTok, Instagram, YouTube)
 - Selfie&recording
 - E-book App page turning
4. Laser pointer

Included Components:

- Mouse*1
- Type-C cable*1
- USB receiver*1
- Instruction manual *1
- Quick Start Guide *1

Single package size: 12.33*9.25*3 cm

Single package Weight: 112.2 g



Specifications:

Mouse:

Bluetooth Name:	D13
Material:	ABS
Bluetooth Version:	Ver.5.3
Transmission Power:	ClassII(-6dBm~+4dBm)
Frequency (Hz):	2.40GHz~2.48GHz
Effective Range:	10 meters
Battery Capacity:	150mAh
Charging Time:	About 1.5 hours
Mouse size:	96.2*26.0*14.7 mm
Mouse weight:	22.2 g
Charging Interface:	Type-C

Battery life

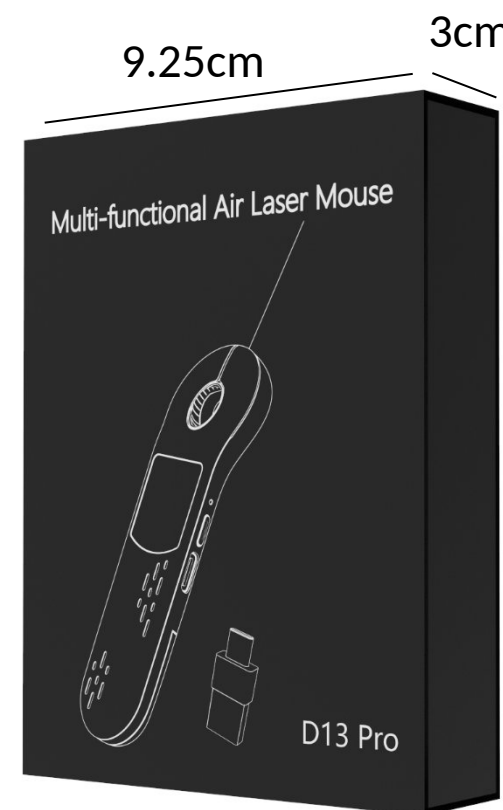
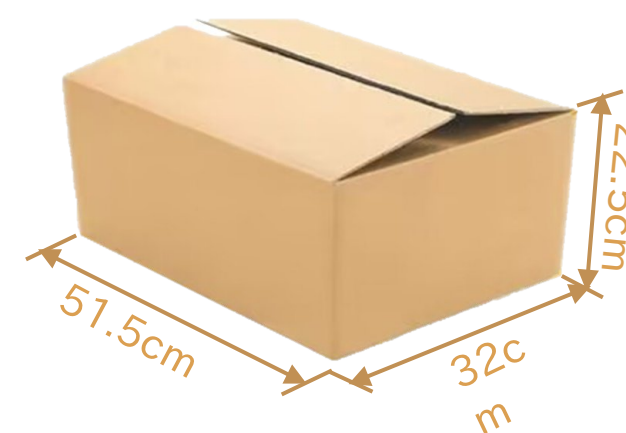
Charge and discharge the battery more than 500 times.

MOQ: 1000 PCS

Transport box size: 51.5*32*22.5 cm

Packing quantity per box: 80 pcs

Gross weight: ≈ 10 kg



Multifunctional Ring Mouse

D06

Main Features:

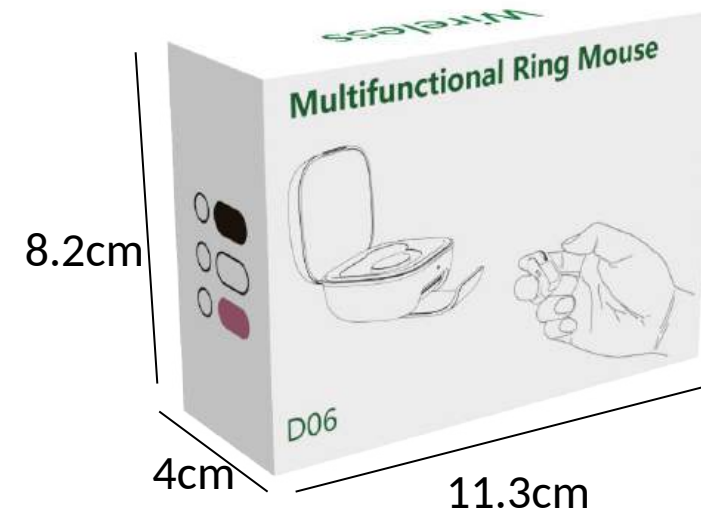
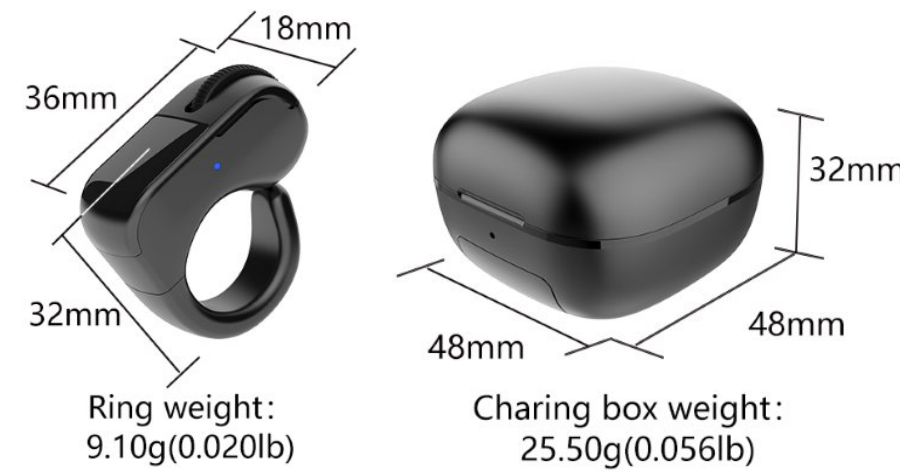
1. Mode of connect to devices: Bluetooth 5.3
2. Compatible systems: iOS, MacOS, Android, Windows, iPad, Desktop computer, Laptop computer
3. Usage scenarios:
 - Web browsing
 - PowerPoint/Keynote flip
 - Short video control (TikTok, Instagram, Youtube)
 - Selfie&recording
 - E-book App page turning

Included Components:

- Ring*1
- Charging case*1
- Type-C cable*1
- Instruction manual *1
- Quick Start Guide *1

Single package size: 11.3*8.2*4.0 cm

Single package weight: 106.6 g



Specifications:

Ring:

Bluetooth Name:	D06
Material	ABS
Bluetooth Version:	Ver.5.3
Transmission Power:	ClassII(-6dBm~+4dBm)
Frequency (Hz):	2.40GHz~2.48GHz
Effective Range:	10 meters
Battery Capacity:	40mAh
Charging Time:	About 1.5 hours
Ring size:	32*36*18 mm
Ring weight:	9.1g

Charging Case:

Material	ABS Material
Battery Capacity:	250mAh
Charging Time:	About 1.5 hours
Charging Interface:	Type-C
Charging case size:	48*48*32 mm
Charging case weight:	25.5 g
Up to 10 hours of battery life with a single charge. The charging case can charge the ring for 5 times.	

Battery life

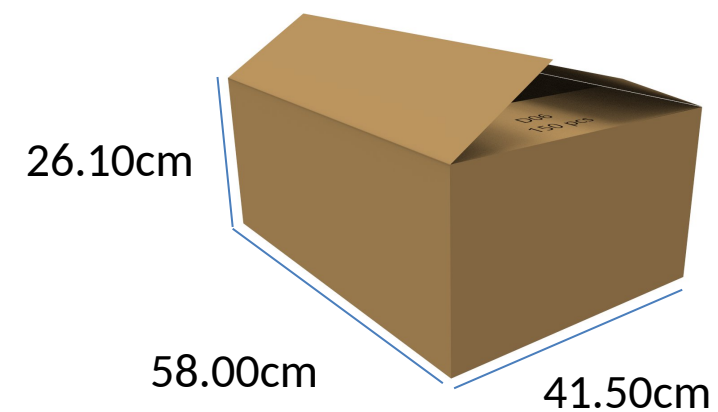
Charge and discharge the battery more than 500 times.

MOQ: 1000 PCS

Transport box size: 58*41.5*26.1 cm

Packing quantity per box: 150 pcs

Gross weight: ≈17 kg



Multifunctional Ring Mouse

D06 Pro

Main Features:

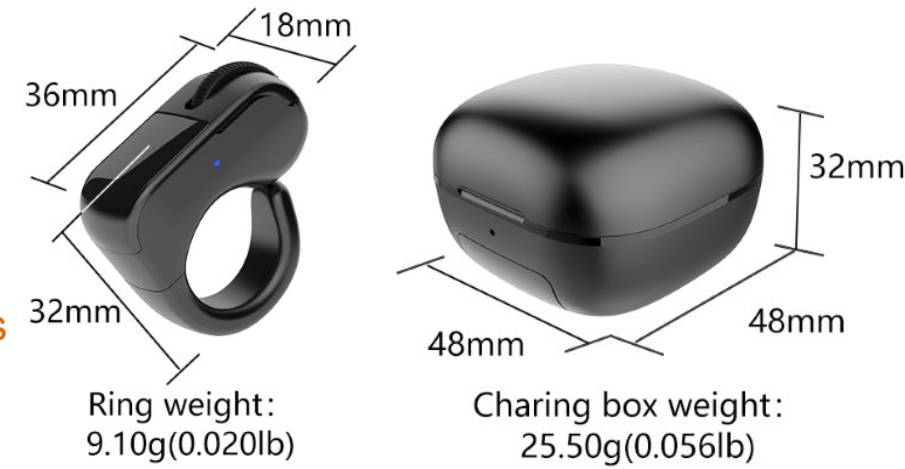
1. Dual-mode connection device: Bluetooth 5.3 and 2.4G wireless
2. Compatible systems: iOS, MacOS, Android, Windows,
3. Compatible devices: Android phone, Android tablet, iPhone, iPad, Desktop computer, Laptop computer
3. Usage scenarios:
 - Web browsing
 - PowerPoint/Keynote flip
 - Short video control (TikTok, Instagram, Youtube)
 - Selfie&recording
 - E-book App page turning

Included Components:

- Ring*1
- USB receiver *1
- Charging case*1
- Type-C cable*1
- Instruction manual *1
- Quick Start Guide *1

Package size: 11.3*8.2*4.0 cm

Package Weight: 106 g



Specifications:

Ring:

Bluetooth Name:	D06
Material:	ABS Material
Bluetooth Version:	Ver.5.3
Transmission Power:	ClassII(-6dBm~+4dBm)
Frequency (Hz):	2.40GHz~2.48GHz
Effective Range:	10 meters
Battery Capacity:	40mAh
Charging Time:	About 1.5 hours
Ring size:	32*36*18 mm
Ring weight:	9.1 g

Charging Case:

Material:	ABS Material
Battery Capacity:	250mAh
Charging Time:	About 1.5 hours
Charging Interface:	Type-C
Charging case size:	48*48*32 mm
Charging case weight:	25.5 g
Up to 10 hours of battery life with a single charge. The charging case can charge the ring for 5 times.	

Battery life

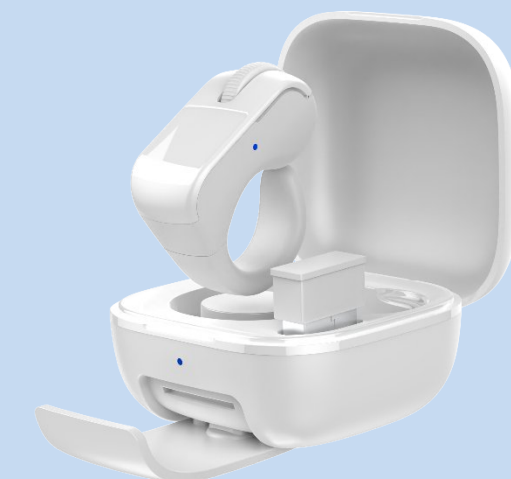
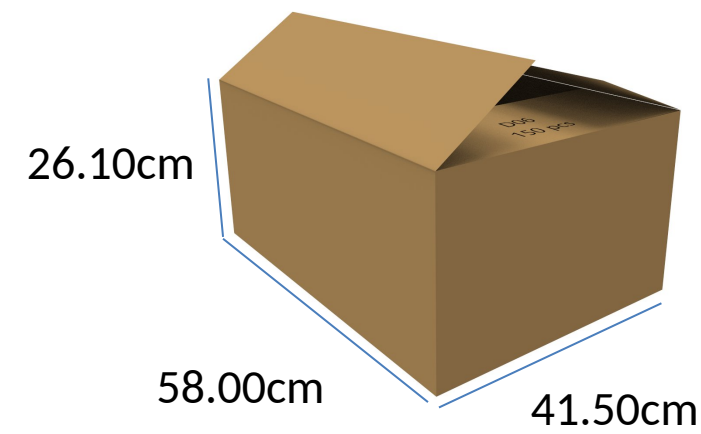
Charge and discharge the battery more than 500 times.

MOQ: 1000 PCS

Transport box size: 58*41.5*26.1 cm

Packing quantity per box: 150 pcs

Gross weight: ≈17.1 kg



Smart Remote Control Ring

D01

Main Features:

1. Short video remote control
2. Camera remote: selfie, video recording
3. PPT page-turning, e-book app page-turning
4. Bluetooth connection
5. Patented product
6. Exterior material: frosted
7. Waterproof rating: Level 4
8. Dustproof rating: Level 5

Package List:

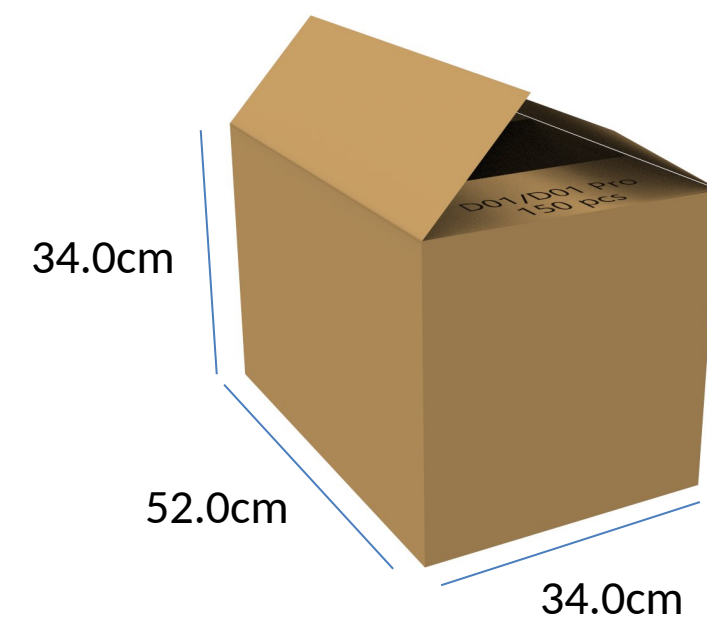
- Ring*1
- Charging case*1
- Type-C cable*1
- Instruction manual *1

Single package size:

10*10*3 cm

Single package weight:

85 g



Specifications:

Ring :

Bluetooth Name:	D01
Material	ABS
Bluetooth Version:	Ver.5.0
Transmission Power:	ClassII(-6dBm~+4dBm)
Frequency (Hz):	2.40GHz~2.48GHz
Effective Range:	10 meters
Battery Capacity:	25mAh
Charging Time:	About 1.5 hours
Ring size:	25*25*12 mm
Ring weight:	3.6 g

Charging Case:

Material	ABS
Battery Capacity:	250mAh
Charging Time:	About 1.5 hours
Charging Interface:	Type-C
Charging case size:	41.9*41.9*21 mm
Charging case weight:	24.4 g

Up to 10 hours of battery life with a single charge.
The charging case can charge the ring for 5 times.

Battery life :

Charge and discharge the battery more than 500 times.

MOQ: 1000PCS

Transport box size: 52*34*34 cm

Packing quantity per box: 150 pcs

Gross weight: ≈14.1 kg



Smart Remote Control Ring

D01 Pro

Main Features:

1. Short video remote control
2. Camera remote: selfie, video recording
3. PPT page-turning, e-book app page-turning
4. Music control and answer/end calls
5. Bluetooth connection
6. Patented product
7. Exterior material: frosted
8. Waterproof rating: Level 4
9. Dustproof rating: Level 5

Included Components:

- Ring*1
- Charging case*1
- Type-C cable*1
- Instruction manual *1

Single package size: 10*10*3 cm

Single package Weight: 85 g



Specifications:

Ring :

Bluetooth Name:	D01 Pro
Material	ABS
Bluetooth Version:	Ver.5.0
Transmission Power:	ClassII(-6dBm~+4dBm)
Frequency (Hz):	2.40GHz~2.48GHz
Effective Range:	10 meters
Battery Capacity:	25mAh
Charging Time:	About 1.5 hours
Ring size:	25*25*12 mm
Ring weight:	3.6 g

Charging Case:

Material	ABS
Battery Capacity:	250mAh
Charging Time:	About 1.5 hours
Charging Interface:	Type-C
Charging case size:	41.9*41.9*21 mm
Charging case weight:	24.4 g
Up to 10 hours of battery life with a single charge. The charging case can charge the ring for 5 times.	

Battery life :

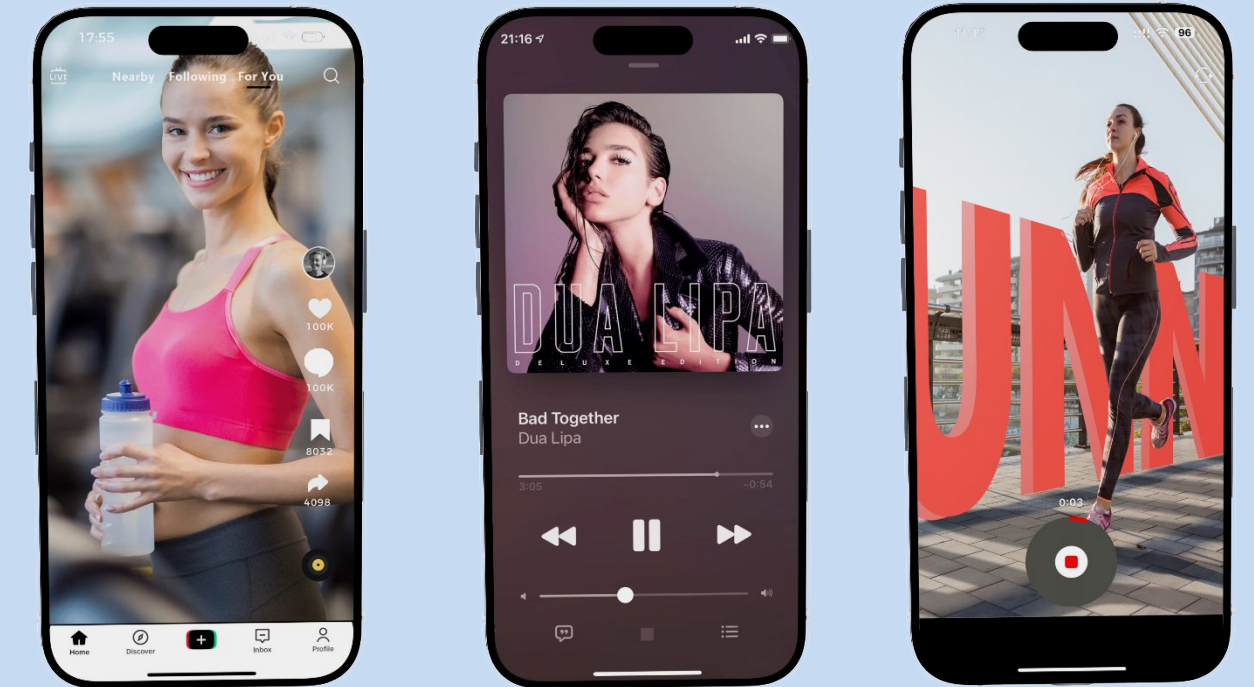
Charge and discharge the battery more than 500 times.

MOQ: 1000 PCS

Transport box size: 52*34*34 cm

Packing quantity per box: 150 pcs

Gross weight: ≈14.1 kg



Diamond Remote Control Ring

D03

Main Features:

1. Short video remote control
2. Camera remote: selfie, video recording
3. PPT page-turning, e-book app page-turning
4. Bluetooth connection
5. Patented product
6. Exterior material: frosted
7. Waterproof rating: Level 4
8. Dustproof rating: Level 5

Package List:

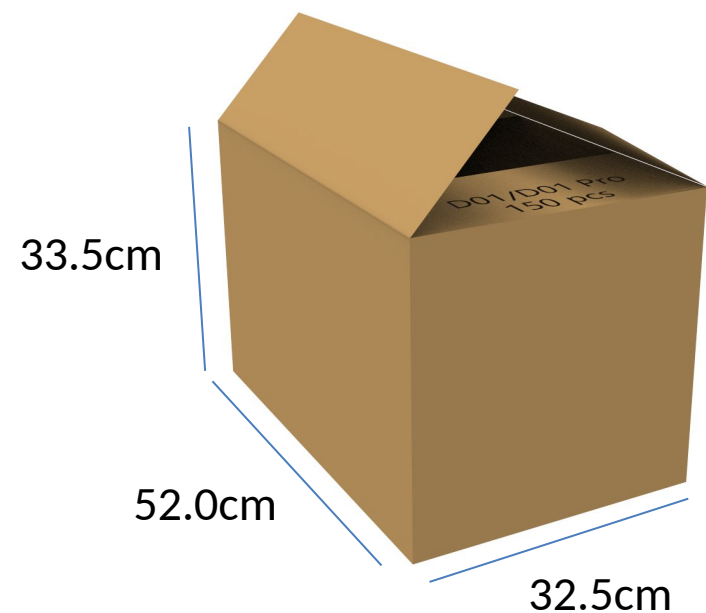
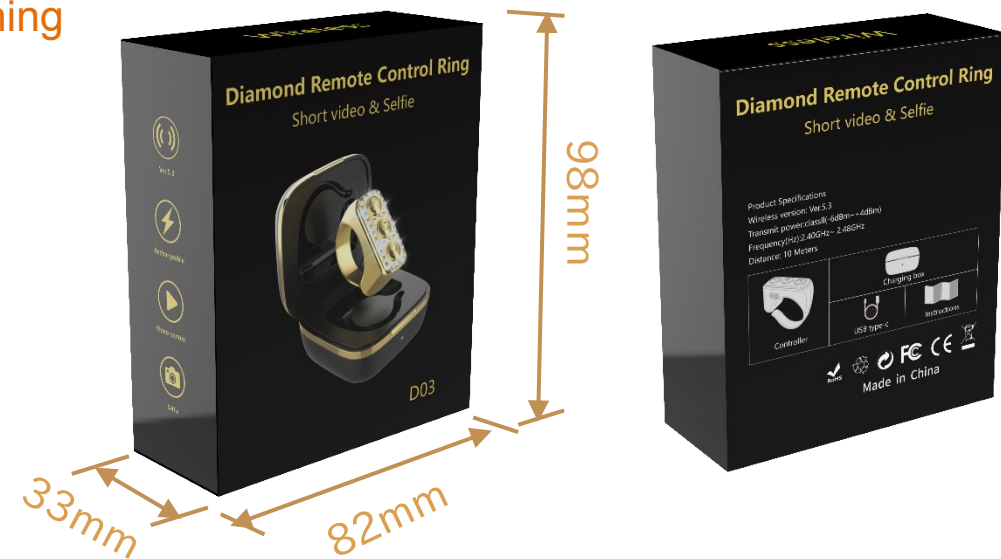
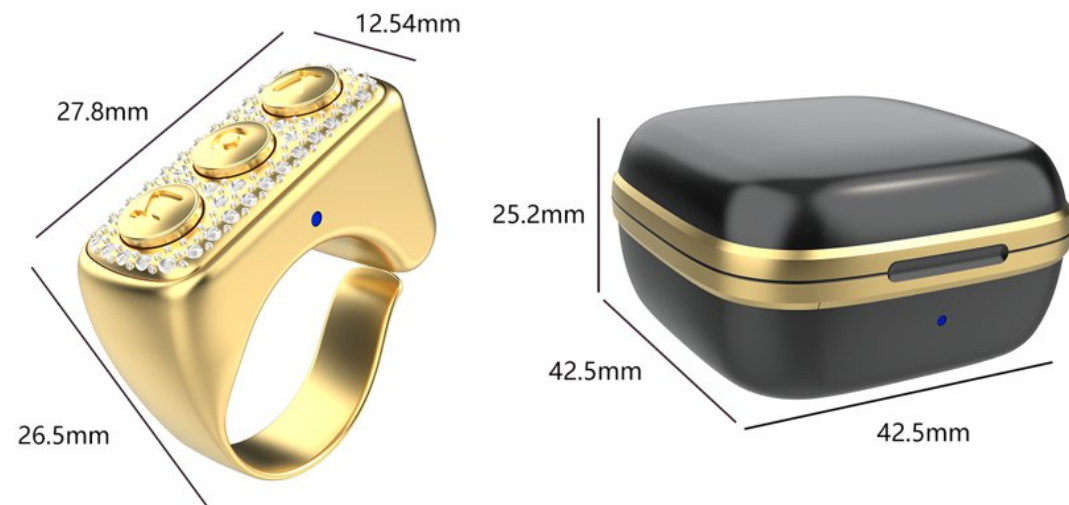
- Ring*1
- Charging case*1
- Type-C cable*1
- Instruction manual *1

Single package size:

82*98*33 mm

Singke package weight:

78.5g



Specifications:

Ring :

Bluetooth Name:	D03
Material	ABS
Bluetooth Version:	Ver.5.0
Transmission Power:	ClassII(-6dBm~+4dBm)
Frequency (Hz):	2.40GHz~2.48GHz
Effective Range:	10 meters
Battery Capacity:	25mAh
Charging Time:	About 1.5 hours
Ring size:	27.8*26.5*12.54 mm
Ring weight:	4.5 g

Charging Case:

Material	ABS
Battery Capacity:	250mAh
Charging Time:	About 1.5 hours
Charging Interface:	Type-C
Charging case size:	42.5*42.5*25.2 mm
Charging case weight:	24.4 g
Up to 10 hours of battery life with a single charge. The charging case can charge the ring for 5 times.	

Battery life :

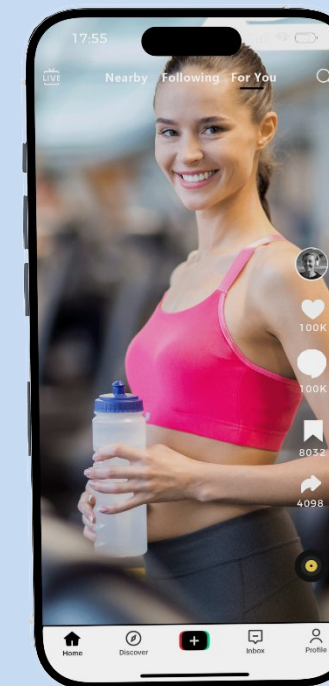
Charge and discharge the battery more than 500 times.

MOQ: 1000 PCS

Transport box size: 52*33.5*32.5 cm

Packing quantity per box: 160 pcs

Gross weight: ≈13.8 kg



Smart Remote Control Ring

A01

Main Features:

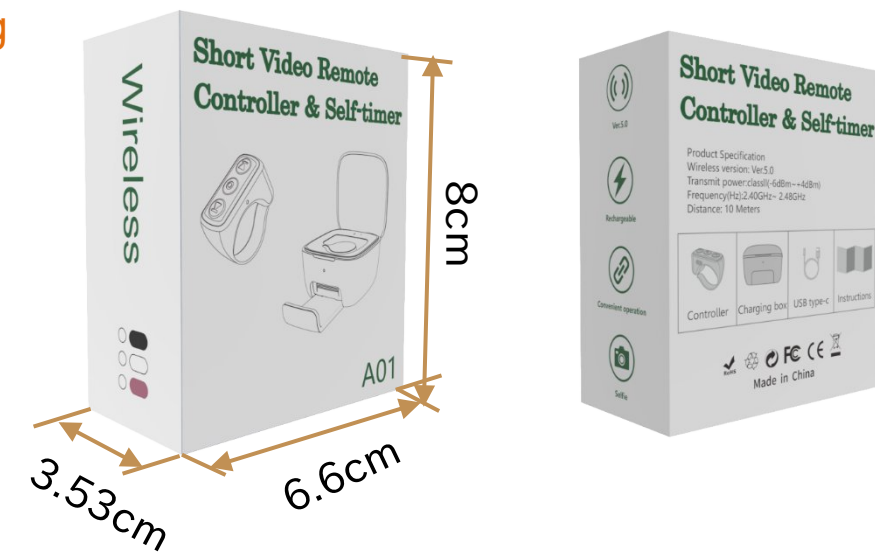
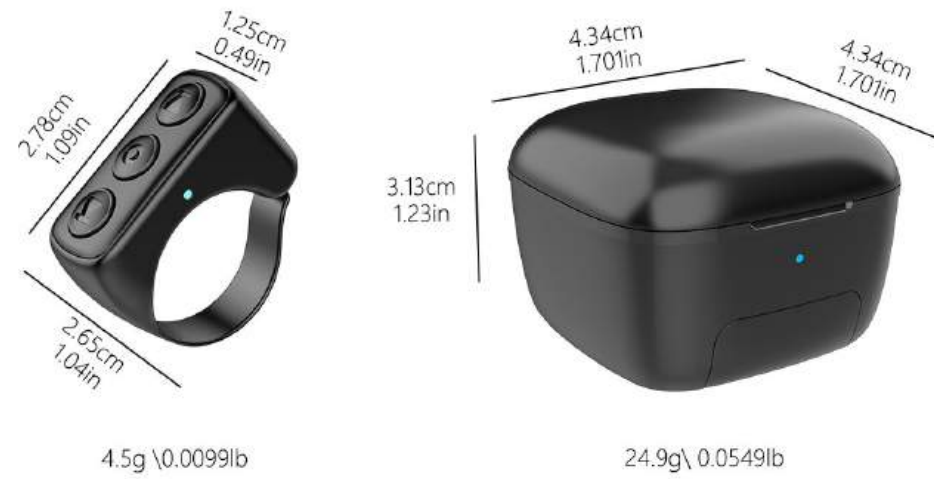
1. Short video remote control
2. Camera remote: selfie, video recording
3. PPT page-turning, e-book app page-turning
4. Built-in stand design
5. Bluetooth connection
6. Patented product
7. Exterior material: frosted
8. Waterproof rating: Level 4
9. Dustproof rating: Level 5

Included Components:

- Ring*1
- Charging case*1
- Type-C cable*1
- Instruction manual *1

Package size: 66*35.3*80mm

Package Weight: 66.8g



Specifications:

Ring:

Bluetooth Version:	Ver.5.0
Material	ABS
Transmission Power:	ClassII(-6dBm~+4dBm)
Frequency (Hz):	2.40GHz~2.48GHz
Bluetooth Name:	A01
Effective Range:	10 meters
Battery Capacity:	25mAh
Charging Time:	About 1.5 hours
Ring size:	25*25*12 mm
Ring weight:	4.5g

Charging Case:

Material	ABS
Battery Capacity:	250mAh
Charging Time:	About 1.5 hours
Charging Interface:	Type-C
Charging case size:	43.4*43.4*31.3 mm
Charging case weight:	24.9 g

Up to 10 hours of battery life with a single charge.

The charging case can charge the ring for 5 times.

Battery life:

Charge and discharge the battery more than 500 times.

MOQ: 1000 PCS

Transport box size: 42*39*30.5 cm

Packing quantity per box: 200 pcs

Gross weight: ≈14.8 kg



Smart Remote Control Ring

A01 Pro

Main Features:

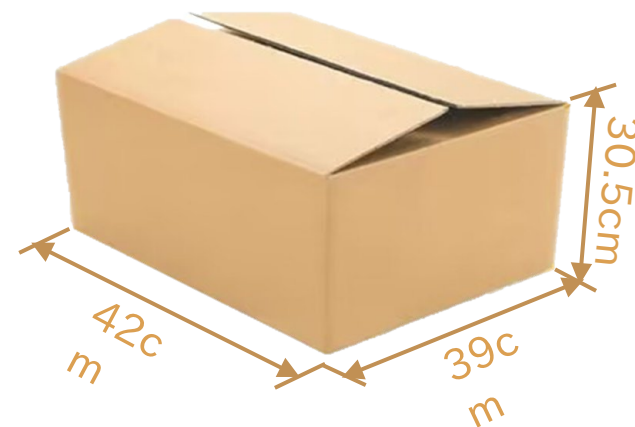
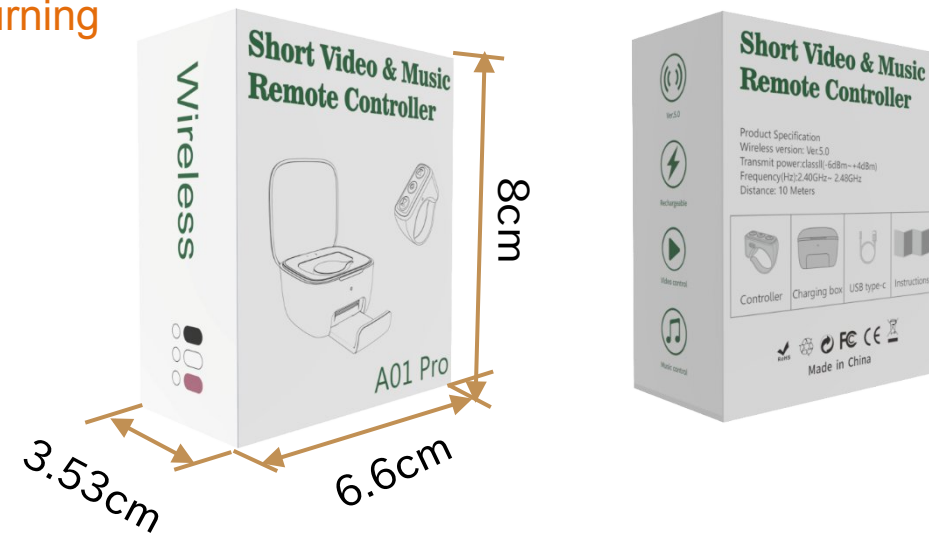
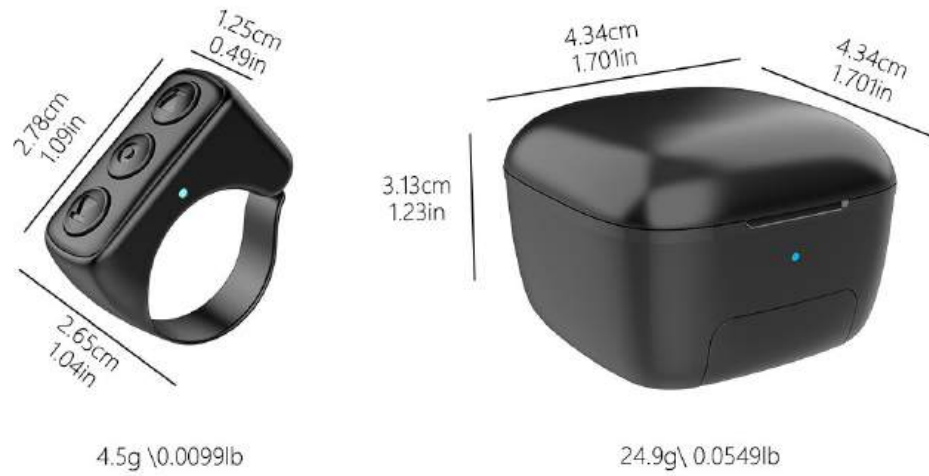
1. Short video remote control
2. Camera remote: selfie, video recording
3. PPT page-turning, e-book app page-turning
4. Built-in stand design
5. Music control and answer/end calls
6. Bluetooth connection
7. Patented product
8. Exterior material: frosted
9. Waterproof rating: Level 4
10. Dustproof rating: Level 5

Included Components:

- Ring*1
- Charging case*1
- Type-C cable*1
- Instruction manual *1

Single package size: 66*35.3*80mm

Single package Weight: 66.8g



Specifications:

Ring:

Bluetooth Version:	Ver.5.0
Material	ABS
Transmission Power:	ClassII(-6dBm~+4dBm)
Frequency (Hz):	2.40GHz~2.48GHz
Bluetooth Name:	A01
Effective Range:	10 meters
Battery Capacity:	25mAh
Charging Time:	About 1.5 hours
Ring size:	25*25*12 mm
Ring weight:	4.5g

Charging Case:

Material	ABS
Battery Capacity:	250mAh
Charging Time:	About 1.5 hours
Charging Interface:	Type-C
Charging case size:	43.4*43.4*31.3 mm
Charging case weight:	24.9 g

Up to 10 hours of battery life with a single charge.
The charging case can charge the ring for 5 times.

Battery life:

Charge and discharge the battery more than 500 times.

MOQ: 1000 PCS

Transport box size: 42*39*30.5 cm

Packing quantity per box: 200 pcs

Gross weight: ≈14.8 kg



Kindle E-book Page Turning & Short Video Remote Control

D07

Main Features:

1. Kindle page-turning (Page forward)
2. Short video remote control
3. Camera remote: selfie, video recording
4. Patented product
5. Exterior material: frosted
6. Waterproof rating: Level 4
7. Dustproof rating: Level 5

Included Components:

- Ring*1
 - Charging case*1
 - Page Turner*1
 - Type-C cable*1
 - Instruction manual *1
- Single package size: 100*100*30 mm
Single package weight: 100.2 g



Specifications:

Ring:

Bluetooth Version:	Ver.5.0
Material	ABS
Transmission Power:	ClassII(-6dBm~+4dBm)
Frequency (Hz):	2.40GHz~2.48GHz
Bluetooth Name:	D07
Effective Range:	10 meters
Battery Capacity:	25mAh
Charging Time:	About 1.5 hours
Ring size:	25*25*12 mm
Ring weight:	4.5g

Charging Case:

Material	ABS
Battery Capacity:	250mAh
Charging Time:	About 1.5 hours
Charging Interface:	Type-C
Charging case size:	41.9*41.9*21 mm
Charging case weight:	24.4 g

Page Turner:

Material	ABS
Battery Capacity:	250mAh
Charging Time:	About 1.5 hours
Charging Interface:	Type-C
Size:	56*21*27 mm
Weight:	15.5 g

Up to **10 hours** of battery life with a single charge.
The charging case can charge the ring for **5 times**.

MOQ: 1000 PCS

Transport box size: 52*33*23.5 cm

Packing quantity per box: 150 pcs

Total weight: ≈16.4 kg



Kindle E-book Page Turning & Short Video Remote Control

D07 Pro

Main Features:

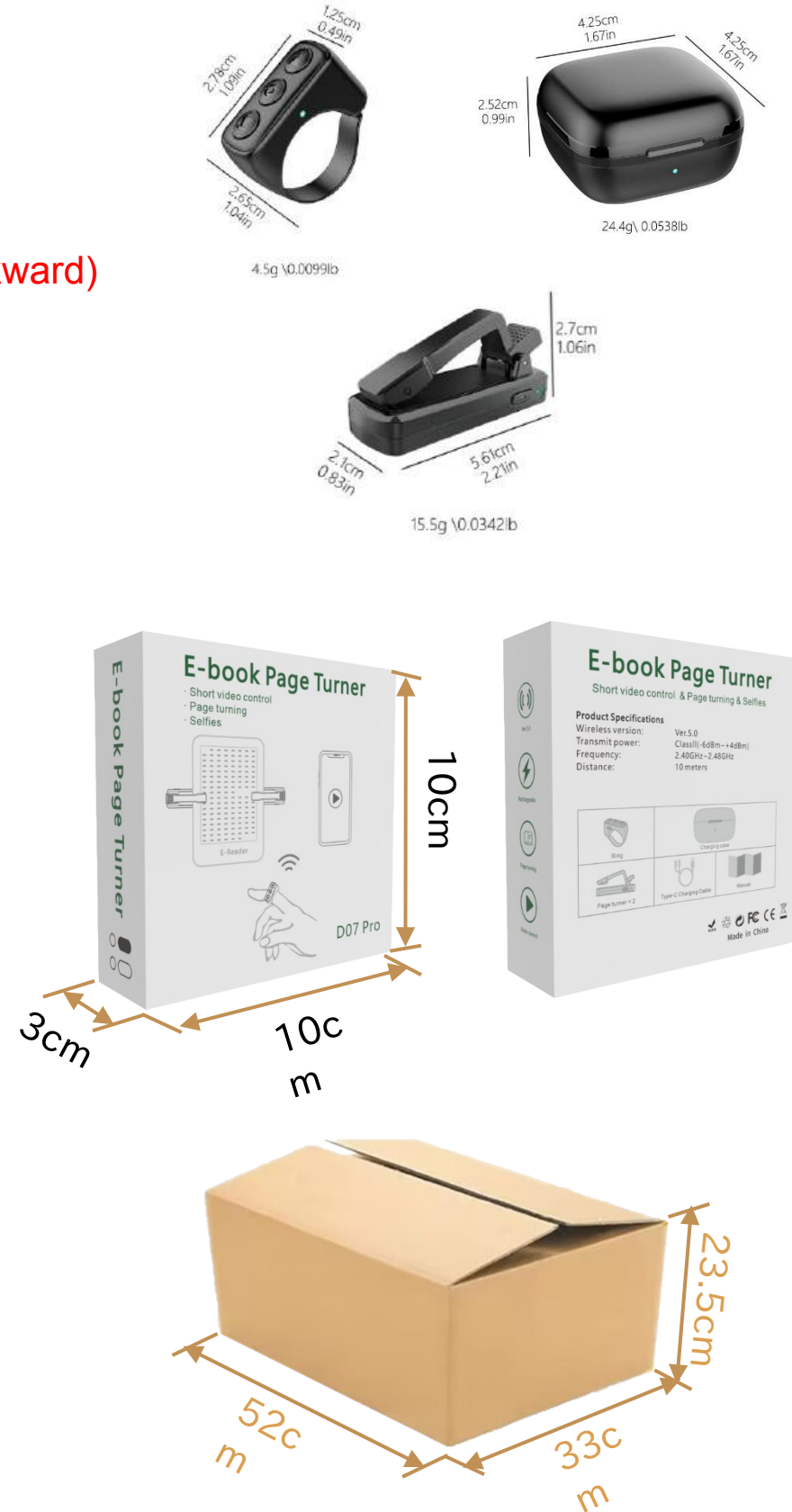
1. Kindle page-turning (Page forward & backward)
2. Short video remote control
3. Camera remote: selfie, video recording
4. Patented product
5. Exterior material: frosted
6. Waterproof rating: Level 4
7. Dustproof rating: Level 5

Included Components:

- Ring*1
- Charging case*1
- Page Turner*2
- Type-C cable*1
- Instruction manual*1

Single package size: 100*100*30 mm

Single package weight: 112.2 g



Specifications:

Ring:

Bluetooth Version:	Ver.5.0
Material	ABS
Transmission Power:	ClassII(-6dBm~+4dBm)
Frequency (Hz):	2.40GHz~2.48GHz
Bluetooth Name:	D07 Pro
Effective Range:	10 meters
Battery Capacity:	25mAh
Charging Time:	About 1.5 hours
Ring size:	25*25*12 mm
Ring weight:	4.5 g

Charging Case:

Material	ABS
Battery Capacity:	250mAh
Charging Time:	About 1.5 hours
Charging Interface:	Type-C
Charging case size:	41.9*41.9*21 mm
Charging case weight:	24.4 g

Page Turner:

Material	ABS
Battery Capacity:	250mAh
Charging Time:	About 1.5 hours
Charging Interface:	Type-C
Size:	56*21*27 mm
Weight:	15.5 g
Up to 10 hours of battery life with a single charge.	
The charging case can charge the ring for 5 times .	

MOQ: 1000 PCS

Transport box size: 52*33*23.5 cm

Packing quantity per box: 150 pcs

Gross weight: ≈18 kg



Kindle E-book Page Turning & Short Video Remote Control

A07

Main Features:

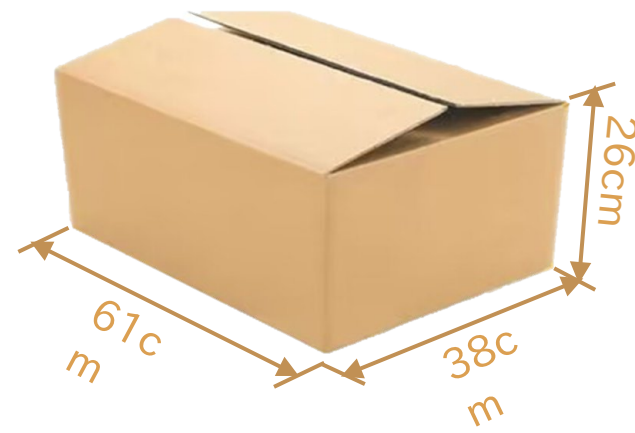
1. Kindle page-turning (Page forward)
2. Short video remote control
3. Camera remote: selfie, video recording
4. Built-in stand design
5. Patented product
6. Exterior material: frosted
7. Waterproof rating: Level 4
8. Dustproof rating: Level 5

Included Components:

- Ring*1
- Charging case*1
- Page Turner*1
- Type-C cable*1
- Instruction manual *1

Single package size: 118*77.5*36 mm

Single package weight: 105 g



Specifications:

Ring:

Bluetooth Version:	Ver.5.0
Material	ABS
Transmission Power:	ClassII(-6dBm~+4dBm)
Frequency (Hz):	2.40GHz~2.48GHz
Bluetooth Name:	A07
Effective Range:	10 meters
Battery Capacity:	25mAh
Charging Time:	About 1.5 hours
Ring size:	25*25*12 mm
Ring weight:	4.5 g

Charging Case:

Material	ABS
Battery Capacity:	250mAh
Charging Time:	About 1.5 hours
Charging Interface:	Type-C
Charging case size:	41.9*41.9*21 mm
Charging case weight:	24.9 g

Page Turner:

Material	ABS
Battery Capacity:	250mAh
Charging Time:	About 1.5 hours
Charging Interface:	Type-C
Size:	56*21*27 mm
Weight:	15.5 g

Up to **10 hours** of battery life with a single charge.
The charging case can charge the ring for **5 times**.

MOQ: 1000 PCS

Transport box size: 61*38*26 cm

Packing quantity per box: 150 pcs

Gross weight: ≈17 kg



Kindle E-book Page Turning & Short Video Remote Control

A07 Pro

Main Features:

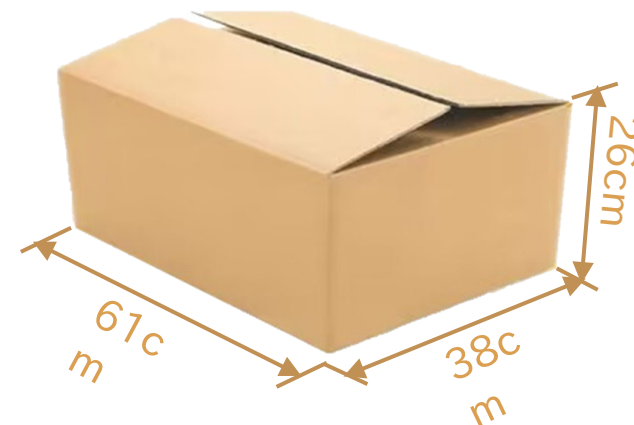
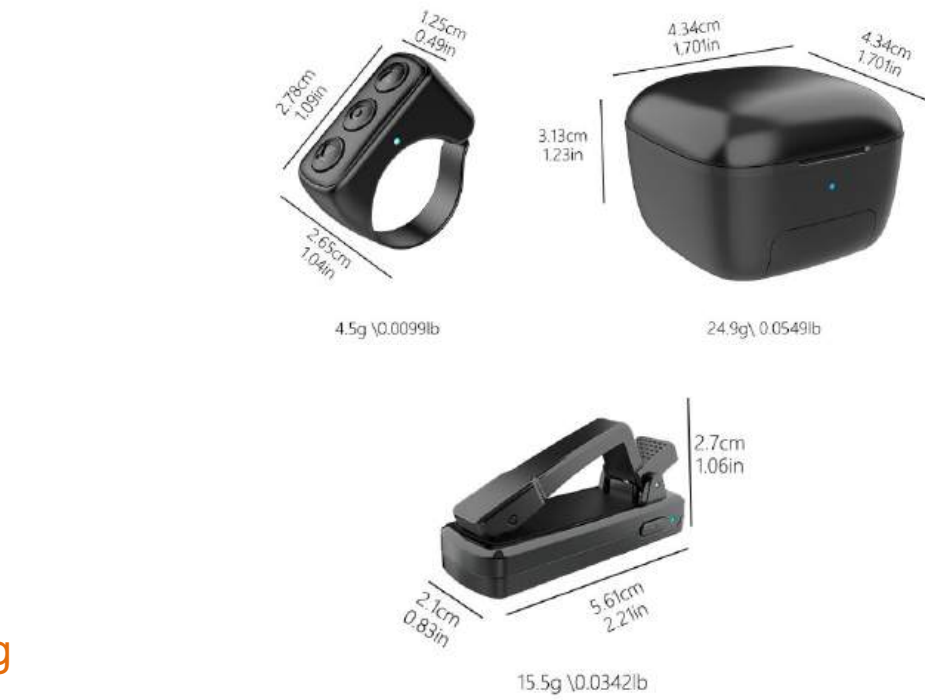
1. Kindle page-turning
(Page forward & backward)
2. Short video remote control
3. Camera remote: selfie, video recording
4. Built-in stand design
5. Patented product
6. Exterior material: frosted
7. Waterproof rating: Level 4
8. Dustproof rating: Level 5

Included Components:

- Ring*1
- Charging case*1
- Page Turner*2
- Type-C cable*1
- Instruction manual *1

Single package size: 118*77*36 mm

Single package weight: 116.4 g



Specifications:

Ring:	
Bluetooth Version:	Ver.5.0
Material	ABS
Transmission Power:	ClassII(-6dBm~+4dBm)
Frequency (Hz):	2.40GHz~2.48GHz
Bluetooth Name:	A07 Pro
Effective Range:	10 meters
Battery Capacity:	25mAh
Charging Time:	About 1.5 hours
Ring size:	25*25*12 mm
Ring weight:	4.5 g

Charging Case:	
Material	ABS
Battery Capacity:	250mAh
Charging Time:	About 1.5 hours
Charging Interface:	Type-C
Charging case size:	41.9*41.9*21 mm
Charging case weight:	24.9 g

Page Turner:	
Material	ABS
Battery Capacity:	250mAh
Charging Time:	About 1.5 hours
Charging Interface:	Type-C
Size:	56*21*27 mm
Weight:	15.5 g

Up to **10 hours** of battery life with a single charge.
 The charging case can charge the ring for **5 times**.

MOQ: 1000PCS

Transport box size: 61*38*26 cm

Packing quantity per box: 150 pcs

Gross weight: ≈19 kg



Kindle E-book Page Turning

D11

Main Features:

1. Kindle page-turning (Page forward)
2. Camera remote: selfie, video recording
3. Patented product
4. Exterior material: frosted
5. Waterproof rating: Level 4
6. Dustproof rating: Level 5

Included Components:

Remote controller:*1

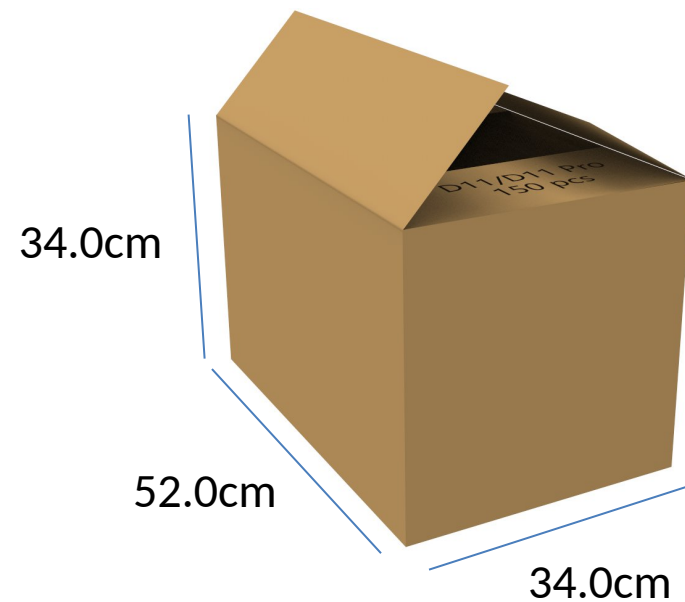
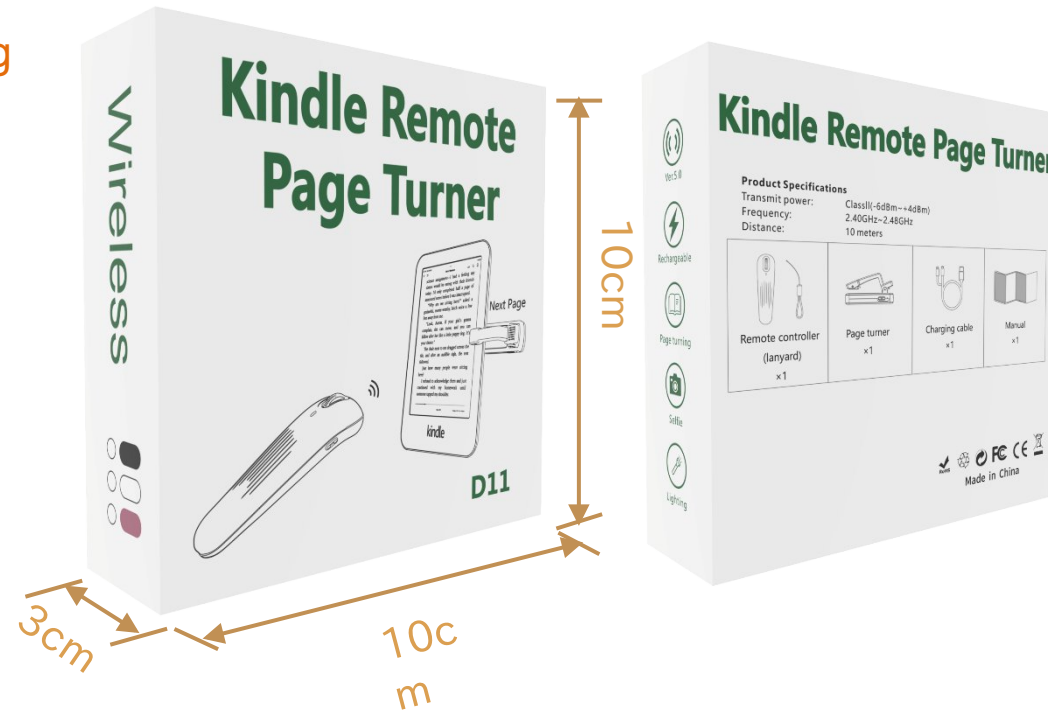
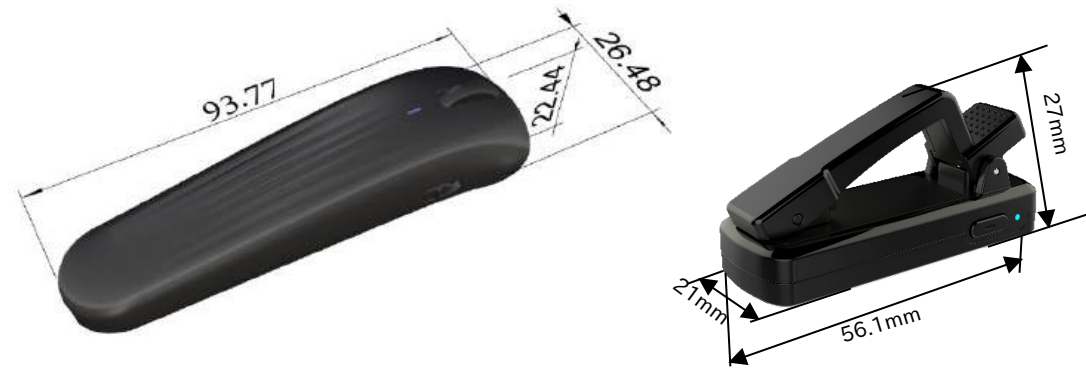
Page Turner*1

Type-C cable*1

Instruction manual *1

Single package size: 100*100*30 mm

Single package weight: 93.8 g



Specifications:

Remote controller:

Material	ABS
Transmission Power:	ClassII(-6dBm~+4dBm)
Frequency (Hz):	2.40GHz~2.48GHz
Effective Range:	10 meters
Battery Capacity:	25mAh
Charging Time:	About 1.5 hours
Ring size:	25*25*12 mm
Ring weight:	21 g

Page Turner:

Material	ABS
Battery Capacity:	250mAh
Charging Time:	About 1.5 hours
Charging Interface:	Type-C
Size:	56*21*27 mm
Weight:	15.5 g

Up to **10 hours** of battery life with a single charge.
The charging case can charge the ring for **5 times**.

MOQ: 1000 PCS

Transport box size: 52*34*34 cm

Packing quantity per box: 150 pcs

Gross weight: ≈15 kg



Kindle E-book Page Turning

D11 Pro

Main Features:

1. Kindle page-turning (Page forward)
2. Camera remote: selfie, video recording
3. Patented product
4. Exterior material: frosted
5. Waterproof rating: Level 4
6. Dustproof rating: Level 5

Included Components:

Remote controller:*1

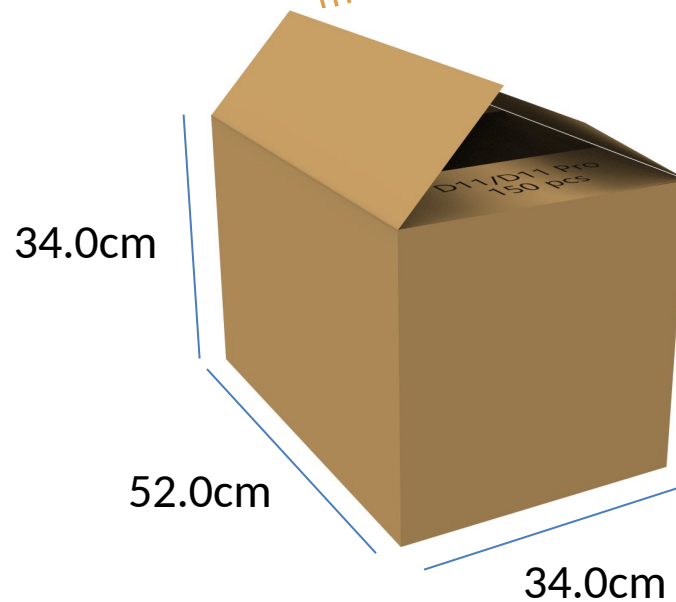
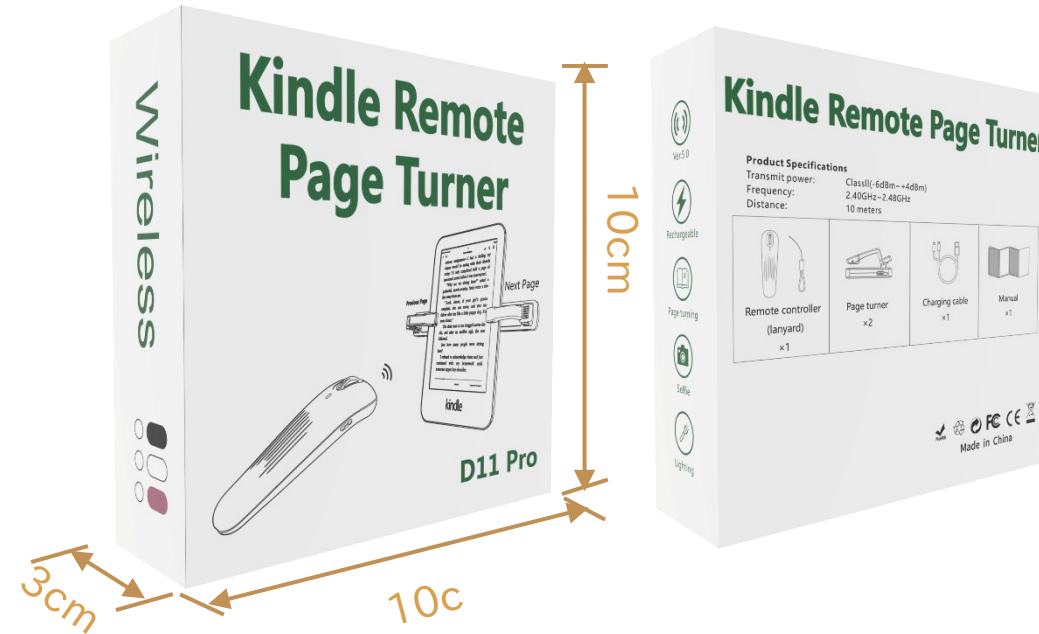
Page Turner*2

Type-C cable*1

Instruction manual *1

Single package size: 100*100*30 mm

Single package weight: 108.3 g



Specifications:

Remote controller:

Material	ABS
Transmission Power:	ClassII(-6dBm~+4dBm)
Frequency (Hz):	2.40GHz~2.48GHz
Effective Range:	10 meters
Battery Capacity:	25mAh
Charging Time:	About 1.5 hours
Ring size:	25*25*12 mm
Ring weight:	21 g

Page Turner:

Material	ABS
Battery Capacity:	250mAh
Charging Time:	About 1.5 hours
Charging Interface:	Type-C
Size:	56*21*27 mm
Weight:	15.5 g

Up to **10 hours** of battery life with a single charge.

The charging case can charge the ring for **5 times**.

MOQ: 1000 PCS

Transport box size: 52*34*34 cm

Packing quantity per box: 150 pcs

Gross weight: ≈17.5 kg



Wireless Transceiver : Universal Bluetooth audio transceiver of computer, TV, mobile phone.

T01

Main Features:

1. It is suitable for USB&TYPE C&Lightning mobile phones to connect Bluetooth microphone for radio reception and music transmission.
2. Designed for all lifestyles and professions.
3. Color : Black, Grey
4. Proofing time : 3~5days
5. Production time : 20~30days

Included Components:

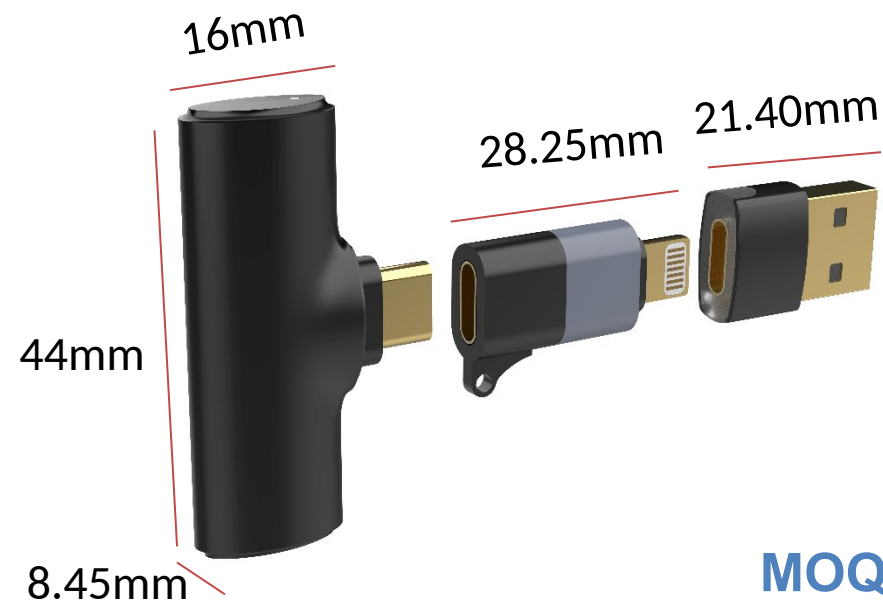
- Transceiver *1
- Adapter*2
- Instruction manual *1

Single package size: 100*100*30 mm

Single package weight: 52.2 g

Specifications:

Bluetooth version:	5.0
Bluetooth name:	T01
Transmit power:	class II(-6dBm~+4dBm)
Frequency(Hz):	2.40GHz~2.48GHz
Music distance:	30 meters
Communication distance:	15 meters

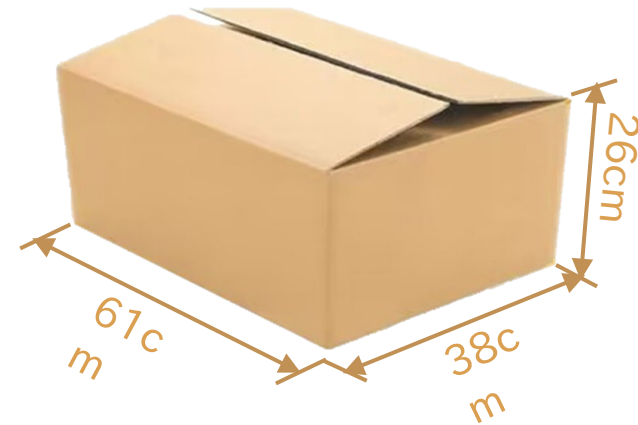


MOQ: 1000PCS

Transport box size: 61*38*26cm

Packing quantity per box: 100 pcs

Gross weight: ≈ 6.2 kg



Lavalier Style Wireless Speaker+Earphone

Q01

Main Features:

1. Combines a noise reduction speaker and earphone in one portable design.
2. Intelligent Noise Reduction Technology, ensuring crystal-clear voice.
3. Effortlessly toggle between loudspeaker and earphone modes with a the device's function button when you are talking or playing music
4. Designed for all lifestyles and professions.

Included Components:

- Bluetooth speaker *1
- Earphone *1
- Type-C charging cable*1
- Instruction manual *1

Single package size: 118*77.35*36 mm

Single package weight: 89.4 g



Specifications:

Remote controller:

Bluetooth Version:	Ver.5.3
Transmission Power:	Class II(-6dBm~+4dBm)
Frequency (Hz):	2.40GHz~2.48GHz
Effective Range:	10 meters
Battery Capacity:	270mAh
Charging Time:	About 0.5 hours
Rated input :	5V, 500mA
Continuous playing time on "Loudspeaker mode":	About 6 hours
Continuous playing time on "Earphone mode":	About 20 hours

Features :

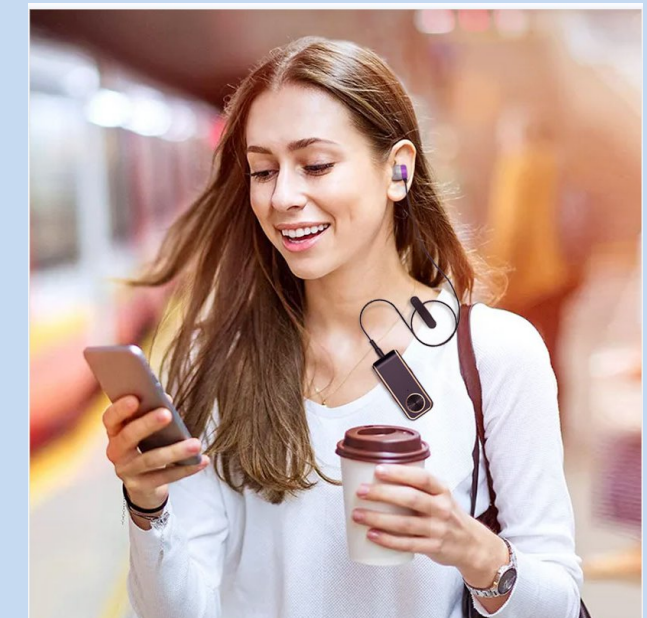
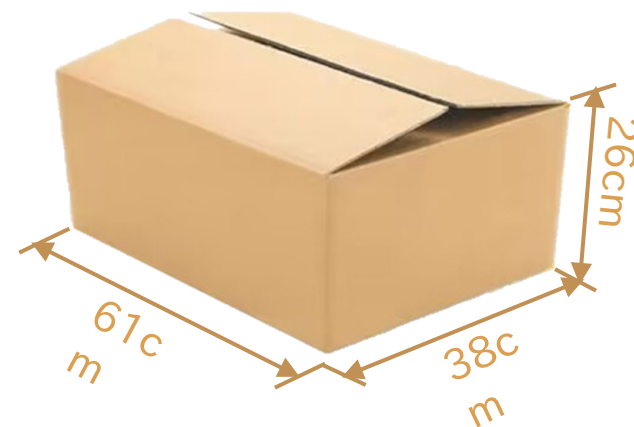
- Color : Black, Grey
- Proofing time : 3~5days
- Production time : 20~30days

MOQ: 1000 PCS

Transport box size: 61*38*26 cm

Packing quantity per box: 150 pcs

Gross weight: ≈14.1 kg





If you are interested in our products, please contact us!

WhatsApp/Mob:+(86) 13590857949

WeChat:13590857949

Email: 354986914@qq.com

Thank you!



ANDROID



iOS



ipad