

ROLLMAX

Products Information

ROLLMAX

宁波瑞曼克斯门窗配件有限公司
ROLLMAX SHUTTER COMPONENT CO.,LTD

ROLLMAX / 宁波瑞曼克斯门窗配件有限公司
ROLLMAX SHUTTER COMPONENT CO.,LTD

Add: No.201,Xingyuan Rd,Xiepu,Zhenhai,315202. Ningbo,China

Tel: +86-574 8656 3800

Fax: +86-574 8656 3822

Web: www.rollmaxshutter.com

E-mail: info@rollmaxshutter.com





ABOUT US

Rollmax shutter component Co.,Ltd established in 2011, specialized in innovation, developing, designing and producing all series of the rolling shutter ,awnings,roller blinds accessories and the related products for manual and motorized system.

Main products is the aluminium side frame,cover box,handles,cardan joint,plastic and metal caps,galvanized tube,crank wheel,coiler,switch also the complete roller shutter set.

With the WEMO cover box line and the Haitian plastic injection machine, aluminium die casting machine, galvanized tube machine and World punching machine.all products with high quality and strict inspection.

Rollmax brand is popular in Europe,Middle east,Australia,North and South America market with good reputation.

With the efforts and supports of all our employees, we will do our best to provide our customers with more high-quality products and more efficient service.

We stick to the principle of "quality first, service first, continuous improvement and innovation to meet the customers" for the management and "zero defect, zero complaints" as the quality objective.

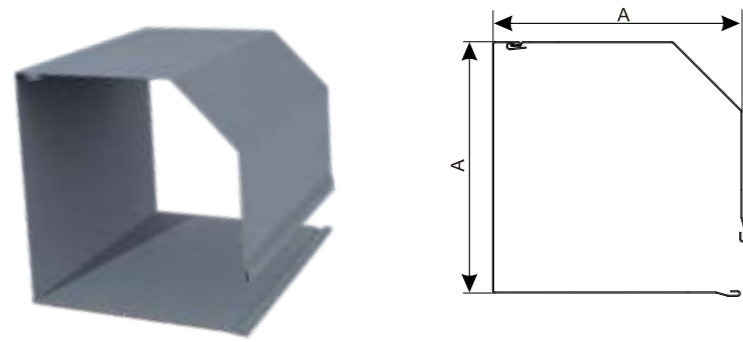
Our mission is "Integrity and innovation are the soul and spirit."

宁波瑞曼克斯门窗配件有限公司成立于2011年，专业致力于各种卷帘门窗，防风卷帘，电动遮阳棚以及智能家居产品等系统产品的研发与生产。根据发展需求，公司目前有工艺领先的荷兰WEMO罩壳生产线，铝压铸生产线，精密五金冲压生产线，镀锌八角管生产线，为公司不断发展提供坚实有力的基础。公司于2022年荣获“国家高新技术企业”，多次被央视新闻频道，《人民日报》，《财经》等媒体关注报道。

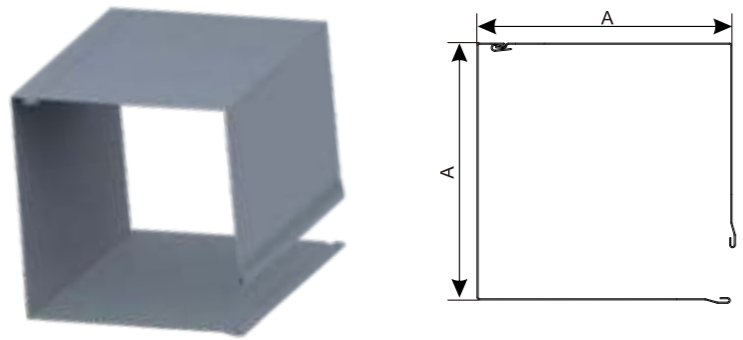
我司产品主要出口欧洲，中东，澳洲，南北美洲及非洲市场，并深受当地客户好评。瑞曼克斯将持续追求卓越，为客户提供更高品质的服务，与客户共同成长，共创美好未来。

COVER BOX	1
END CAP	2
SAFETY PLATE	4
CRANK WHEEL	5
HANDLE CRANK BRACKET	6
CARDAN JOINT	7
HANDLE CRANK	9
BEARING	12
BEARING BRACKET	14
CAPS	21
COILER	28
BRAID WHICH	29
STOPPER	30
ROPE GUIDE	31
TOP LOCK	33
SIDE LOCK	34
ENTRY GUIDE.....	35
SECURITY SPRING	37
STRAP WHEEL	39
GALVANIZED STEEL ROPE PULLEY	40
STEEL SHAFT	41
STRAP CONTROL	42
HANDLE CONTROL	43
ROPE CONTROL	44
ELECTRIC CONTROL.....	45

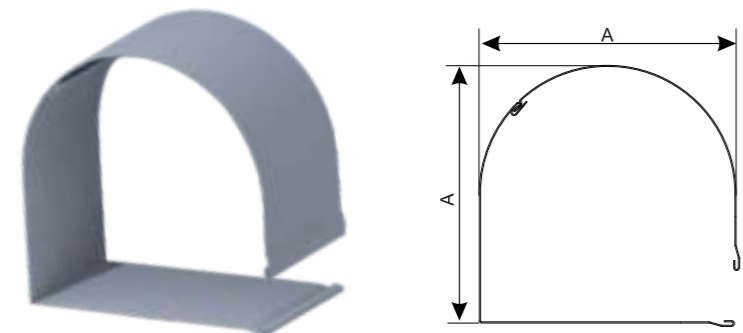
DRAWING	DIMENSION	REFERENCE	DESCRIPTION
---------	-----------	-----------	-------------



- RS-CB137/45°** A(mm)137,White,Brown,Beige,Cream
- RS-CB150/45°** A(mm)150,White,Brown,Beige,Cream
- RS-CB165/45°** A(mm)165,White,Brown,Beige,Cream
- RS-CB180/45°** A(mm)180,White,Brown,Beige,Cream
- RS-CB205/45°** A(mm)205,White,Brown,Beige,Cream
- RS-CB250/45°** A(mm)250,White,Brown,Beige,Cream
- RS-CB300/45°** A(mm)300,White,Brown,Beige,Cream



- RS-CB137/90°** A(mm)137,White,Brown,Beige,Cream
- RS-CB150/90°** A(mm)150,White,Brown,Beige,Cream
- RS-CB165/90°** A(mm)165,White,Brown,Beige,Cream
- RS-CB180/90°** A(mm)180,White,Brown,Beige,Cream
- RS-CB205/90°** A(mm)205,White,Brown,Beige,Cream
- RS-CB250/90°** A(mm)250,White,Brown,Beige,Cream
- RS-CB300/90°** A(mm)300,White,Brown,Beige,Cream



- RS-CB137/1/2R** A(mm)137,White,Brown,Beige,Cream
- RS-CB150/1/2R** A(mm)150,White,Brown,Beige,Cream
- RS-CB165/1/2R** A(mm)165,White,Brown,Beige,Cream
- RS-CB180/1/2R** A(mm)180,White,Brown,Beige,Cream
- RS-CB205/1/2R** A(mm)205,White,Brown,Beige,Cream
- RS-CB250/1/2R** A(mm)250,White,Brown,Beige,Cream
- RS-CB300/1/2R** A(mm)300,White,Brown,Beige,Cream

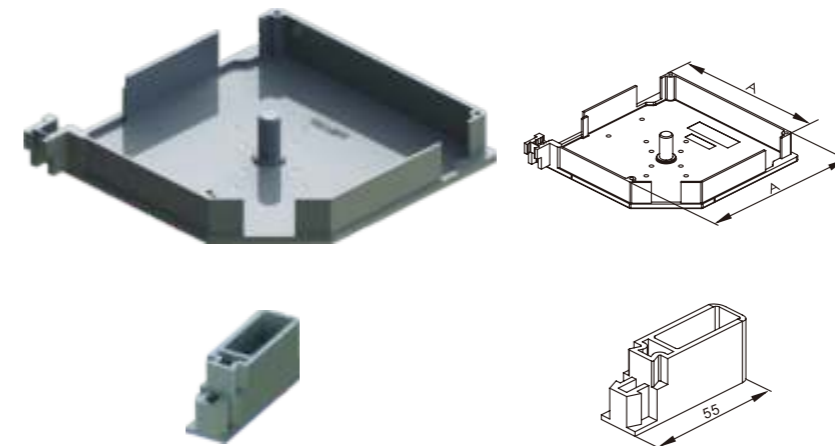
DRAWING	DIMENSION	REFERENCE	DESCRIPTION
---------	-----------	-----------	-------------



- RS-SF137/45°** A(mm)137,White,Brown,Beige,Cream
- RS-SF150/45°** A(mm)150,White,Brown,Beige,Cream
- RS-SF165/45°** A(mm)165,White,Brown,Beige,Cream
- RS-SF180/45°** A(mm)180,White,Brown,Beige,Cream
- RS-SF205/45°** A(mm)205,White,Brown,Beige,Cream
- RS-SF250/45°** A(mm)250,White,Brown,Beige,Cream
- RS-SF300/45°** A(mm)300,White,Brown,Beige,Cream



- RS-SF137/90°** A(mm)137,White,Brown,Beige,Cream
- RS-SF150/90°** A(mm)150,White,Brown,Beige,Cream
- RS-SF165/90°** A(mm)165,White,Brown,Beige,Cream
- RS-SF180/90°** A(mm)180,White,Brown,Beige,Cream
- RS-SF205/90°** A(mm)205,White,Brown,Beige,Cream
- RS-SF250/90°** A(mm)250,White,Brown,Beige,Cream

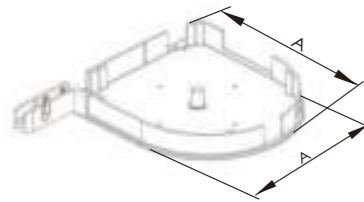
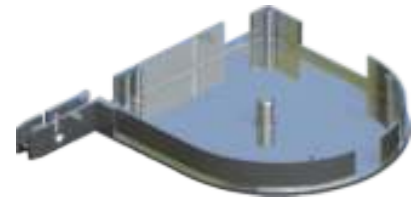


- RS-SF165/45°** A(mm)165,White,Brown,Beige,Cream
- RS-SF180/45°** A(mm)180,White,Brown,Beige,Cream
- RS-SF205/45°** A(mm)205,White,Brown,Beige,Cream
- RS-SF230/45°** A(mm)230,White,Brown,Beige,Cream

END CAP

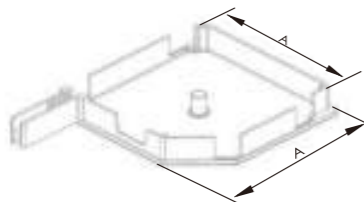
ROLLMAX SHUTTER COMPONENT CO.,LTD

DRAWING	DIMENSION	REFERENCE	DESCRIPTION
---------	-----------	-----------	-------------

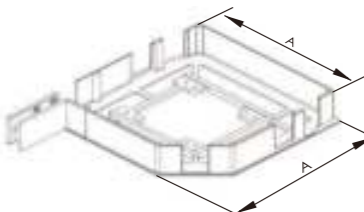


- RS-SF137/1/2R** A(mm), White, Brown, Beige, Cream
- RS-SF150/1/2R** A(mm), White, Brown, Beige, Cream
- RS-SF165/1/2R** A(mm), White, Brown, Beige, Cream
- RS-SF180/1/2R** A(mm), White, Brown, Beige, Cream
- RS-SF205/1/2R** A(mm), White, Brown, Beige, Cream

HEAVY DUTY



- RS-SF150/45H** A(mm), White, Brown, Beige, Cream
- RS-SF165/45H** A(mm), White, Brown, Beige, Cream
- RS-SF180/45H** A(mm), White, Brown, Beige, Cream
- RS-SF205/45H** A(mm), White, Brown, Beige, Cream
- RS-SF230/45H** A(mm), White, Brown, Beige, Cream

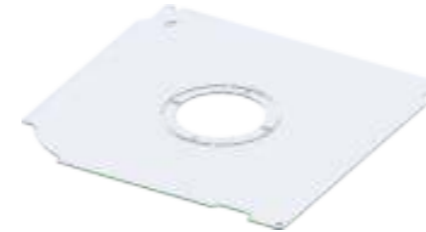


- RS-SF205/45E** A(mm), White, Brown, Beige, Cream

SAFETY PLATE

ROLLMAX SHUTTER COMPONENT CO.,LTD

DRAWING	DIMENSION	REFERENCE	DESCRIPTION
---------	-----------	-----------	-------------



- RS-BS137/90** For RS-SF137/90 side frame
- RS-BS150/90** For RS-SF150/90 side frame
- RS-BS165/90** For RS-SF165/90 side frame
- RS-BS180/90** For RS-SF180/90 side frame
- RS-BS205/90** For RS-SF205/90 side frame
- RS-BS250/90** For RS-SF250/90 side frame




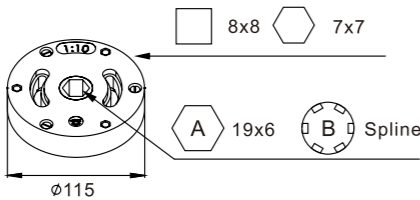

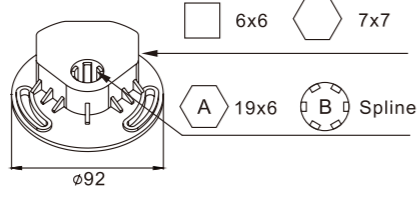
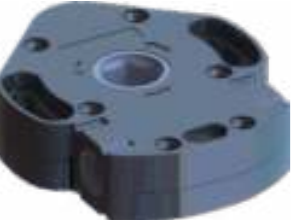
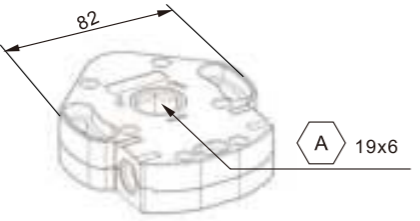

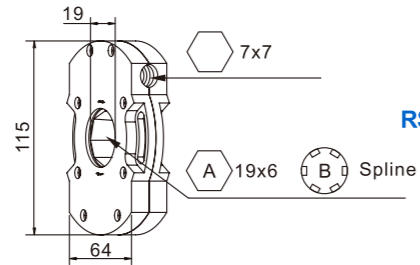

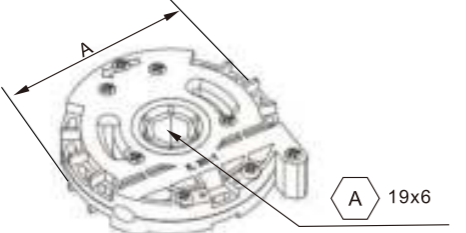
- RS-BS137/45** For RS-SF137/45 side frame
- RS-BS150/45** For RS-SF150/45 side frame
- RS-BS165/45** For RS-SF165/45 side frame
- RS-BS180/45** For RS-SF180/45 side frame
- RS-BS205/45** For RS-SF205/45 side frame
- RS-BS250/45** For RS-SF250/45 side frame
- RS-BS300/45** For RS-SF300/45 side frame

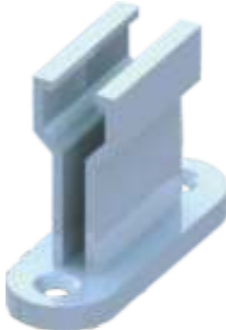
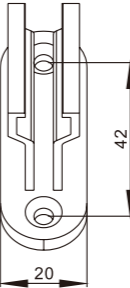

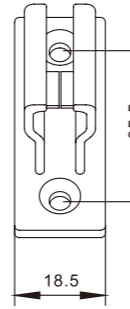

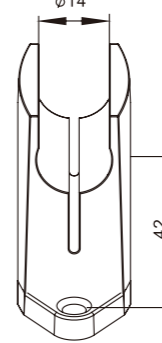


- RS-BS137/QR** For 1/4 round side frame
- RS-BS150/QR** For 1/4 round side frame
- RS-BS165/QR** For 1/4 round side frame
- RS-BS180/QR** For 1/4 round side frame
- RS-BS205/QR** For 1/4 round side frame



- RS-BS137/HR** For 1/2 round side frame
- RS-BS150/HR** For 1/2 round side frame
- RS-BS165/HR** For 1/2 round side frame
- RS-BS180/HR** For 1/2 round side frame
- RS-BS205/HR** For 1/2 round side frame

DRAWING	DIMENSION	REFERENCE	DESCRIPTION
		RS-CW01	1:10, With end stroke, within 25KG
		RS-CW02	1:8, Within 20KG
		RS-CW03	1:11, 1:6 Within in 25KGS
		RS-CW04	1:11, With limit
		RS-CW06	1:5.25, Within in 20KGS

DRAWING	DIMENSION	REFERENCE	DESCRIPTION
		RS-ZZ01	Work for handle rocker White, Brown, Beige, Cream
		RS-ZZ02	Work for handle rocker White, Brown, Beige, Cream
		RS-ZZ03	Work for handle rocker White, Brown, Beige, Cream




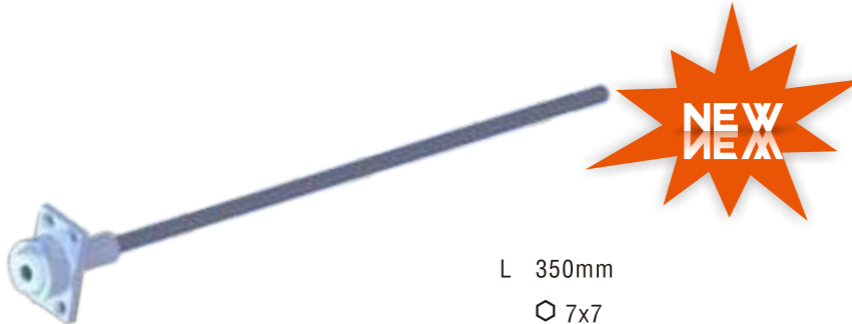
CARDAN JOINT

ROLLMAX SHUTTER COMPONENT CO.,LTD

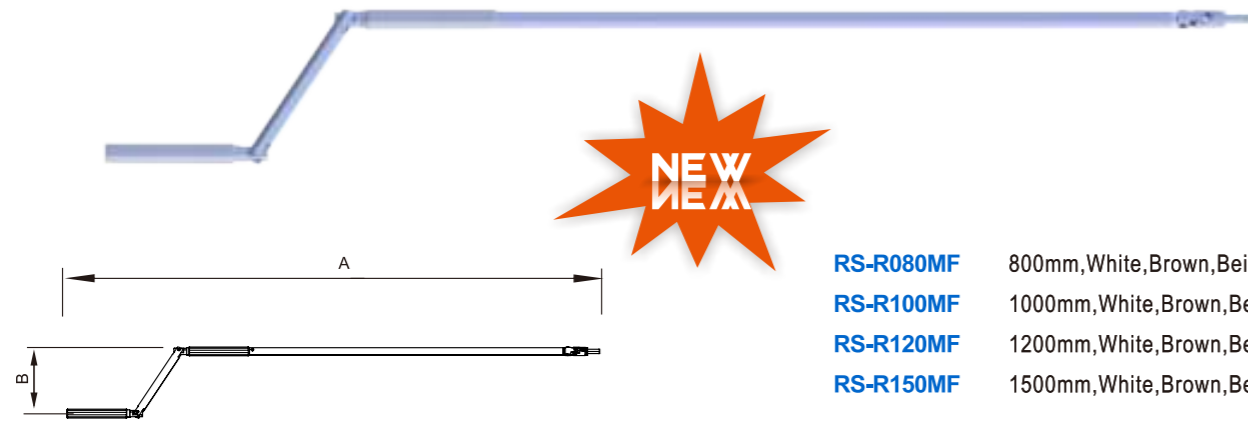
DRAWING	DIMENSION	REFERENCE	DESCRIPTION
	L 350mm □ 8x8 ○ 7x7	RS-UJ01	For RS-R080-150 AF/RF series
	L 350mm □ 8x8 ○ 7x7	RS-UJ02	For RS-R080-150 AF/RF series
	L 350mm □ 8x8 ○ 7x7	RS-UJ03	For RS-R080-150 TF series
	L 350mm □ 8x8 ○ 7x7	RS-UJ04	For RS-R080-150 H/HF series

CARDAN JOINT

ROLLMAX SHUTTER COMPONENT CO.,LTD

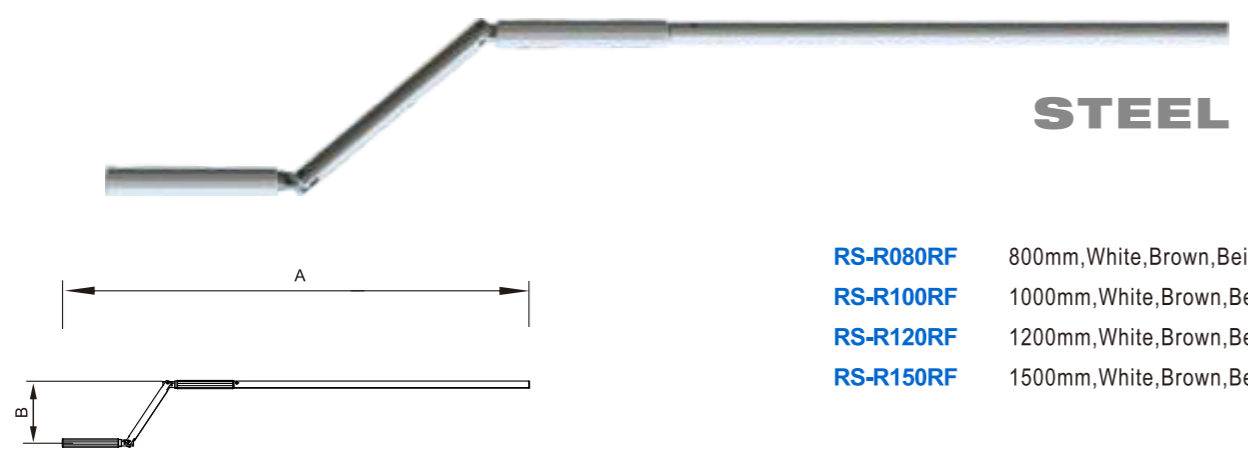
DRAWING	DIMENSION	REFERENCE	DESCRIPTION
	L 350mm □ 6x6 ○ 7x7	RS-UJ05	For RS-R080-150 AF/RF series
	L 350mm □ 8x8 ○ 7x7	RS-UJ06	For RS-R080-150 AF/RF series
	L 350mm □ 8x8 ○ 7x7	RS-UJ07	For RS-R080-150 H/HF series
	L 350mm ○ 7x7	RS-UJ09	For RS-R150MF series

DRAWING	DIMENSION	REFERENCE	DESCRIPTION
---------	-----------	-----------	-------------



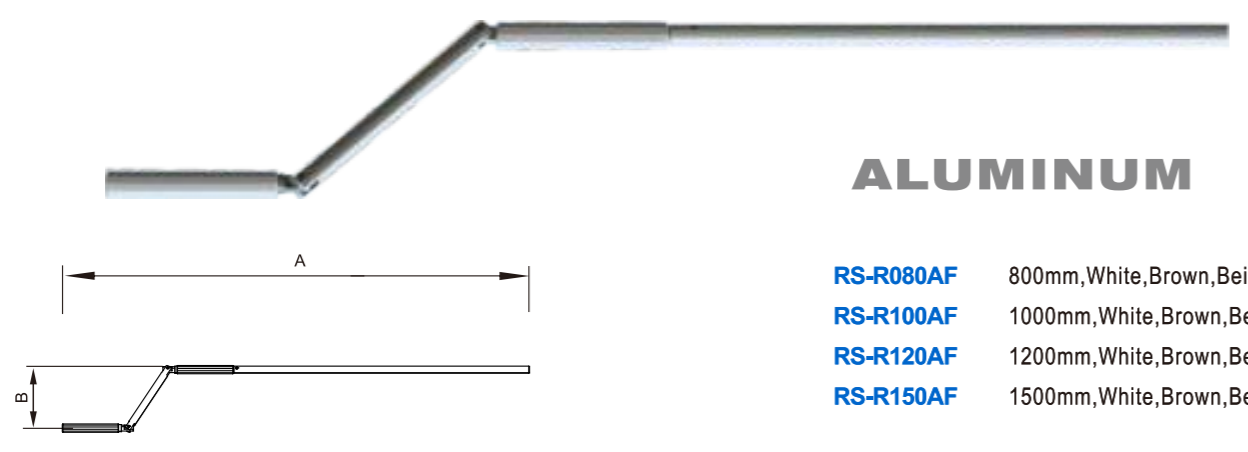
- RS-R080MF** 800mm,White,Brown,Beige,Cream
- RS-R100MF** 1000mm,White,Brown,Beige,Cream
- RS-R120MF** 1200mm,White,Brown,Beige,Cream
- RS-R150MF** 1500mm,White,Brown,Beige,Cream

STEEL



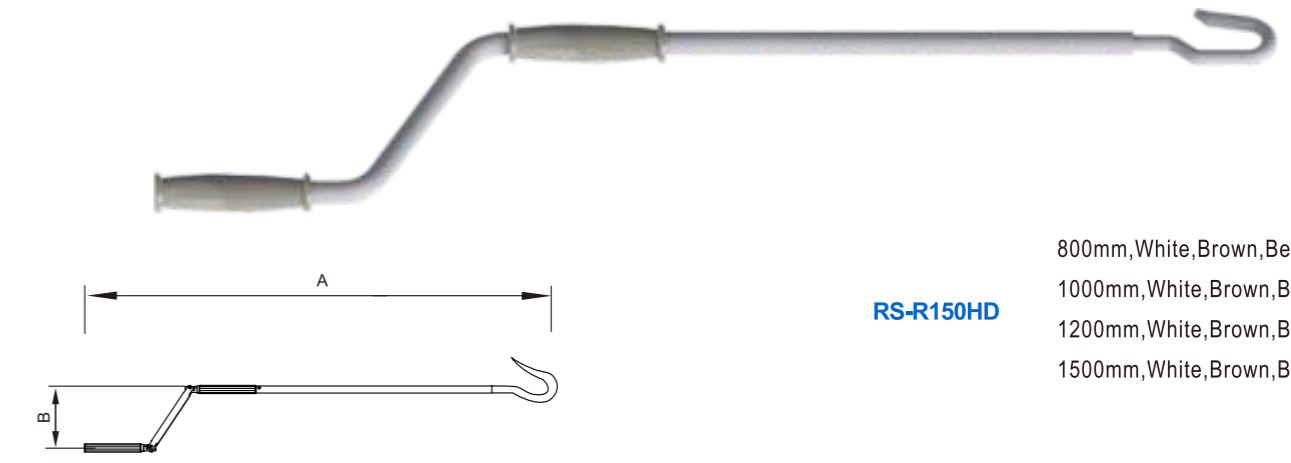
- RS-R080RF** 800mm,White,Brown,Beige,Cream
- RS-R100RF** 1000mm,White,Brown,Beige,Cream
- RS-R120RF** 1200mm,White,Brown,Beige,Cream
- RS-R150RF** 1500mm,White,Brown,Beige,Cream

ALUMINUM

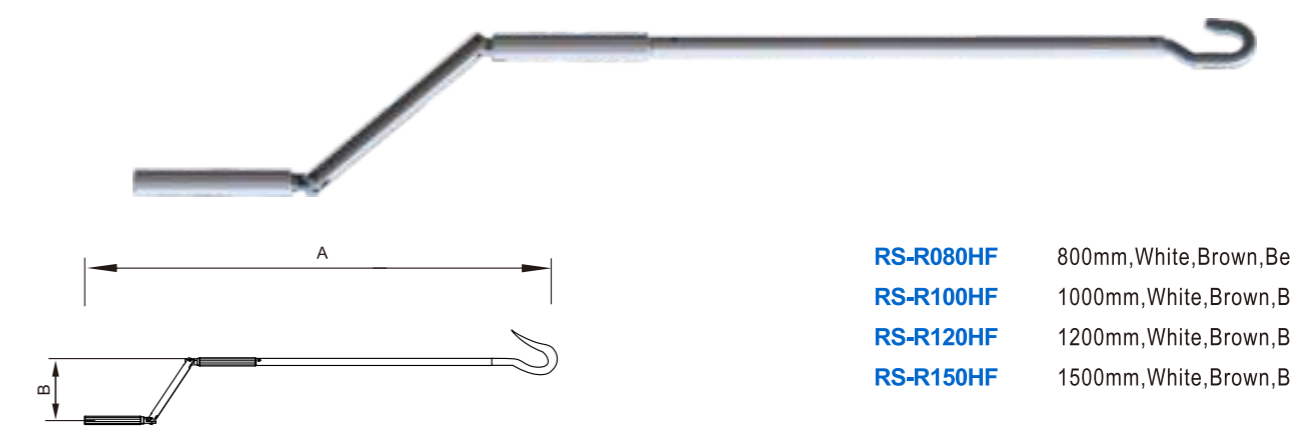


- RS-R080AF** 800mm,White,Brown,Beige,Cream
- RS-R100AF** 1000mm,White,Brown,Beige,Cream
- RS-R120AF** 1200mm,White,Brown,Beige,Cream
- RS-R150AF** 1500mm,White,Brown,Beige,Cream

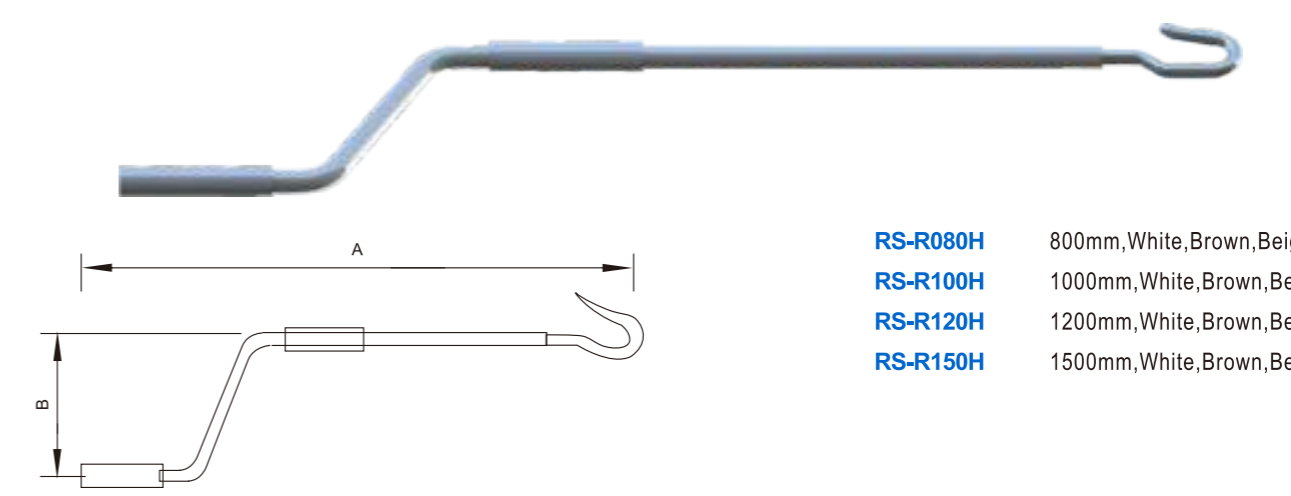
DRAWING	DIMENSION	REFERENCE	DESCRIPTION
---------	-----------	-----------	-------------



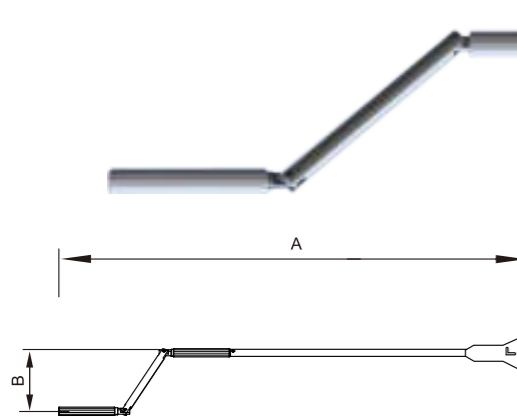
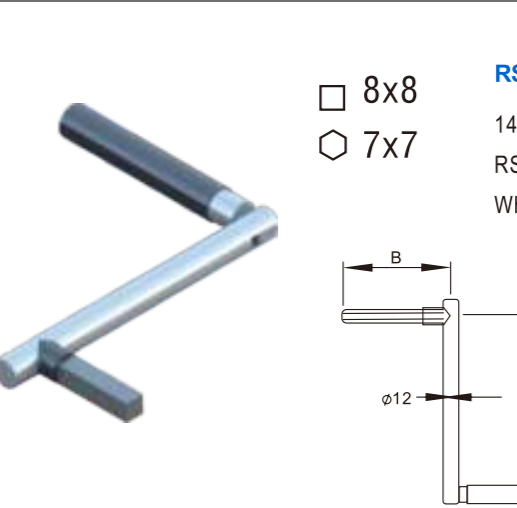





- RS-R150HD** 800mm,White,Brown,Beige,Cream
- 1000mm,White,Brown,Beige,Cream
- 1200mm,White,Brown,Beige,Cream
- 1500mm,White,Brown,Beige,Cream

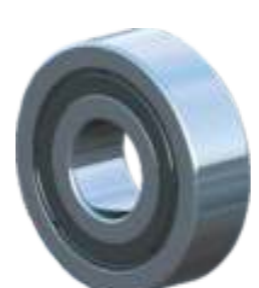
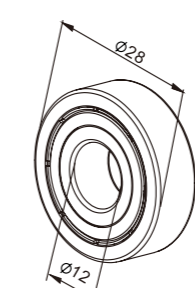
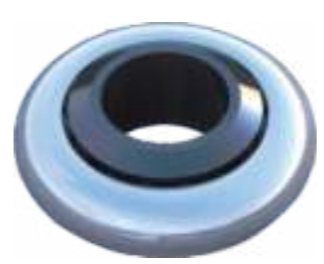
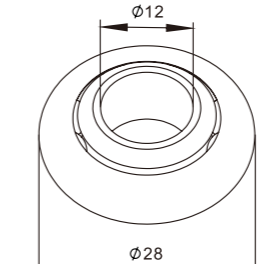

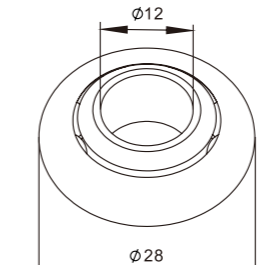



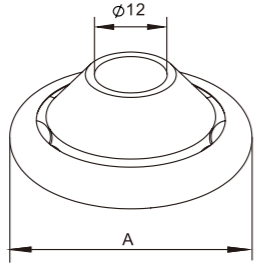

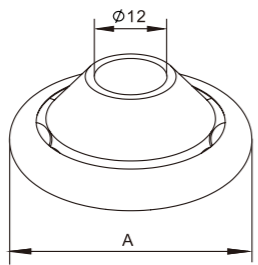
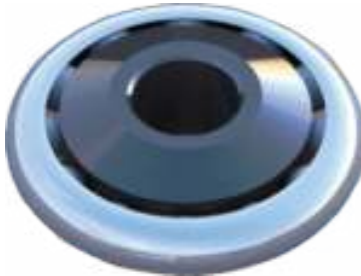
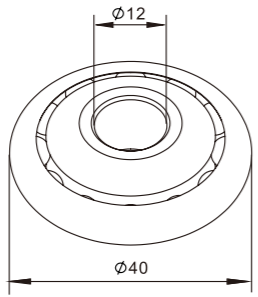

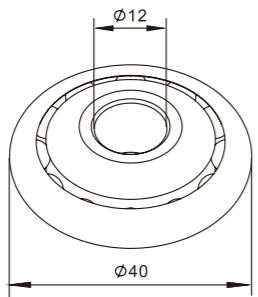
- RS-R080HF** 800mm,White,Brown,Beige,Cream
- RS-R100HF** 1000mm,White,Brown,Beige,Cream
- RS-R120HF** 1200mm,White,Brown,Beige,Cream
- RS-R150HF** 1500mm,White,Brown,Beige,Cream


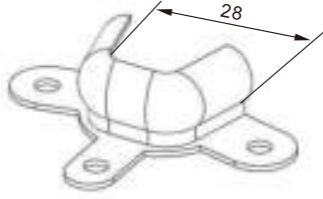

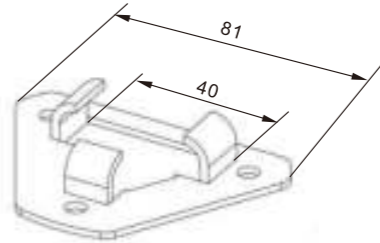

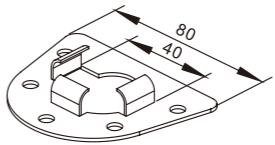

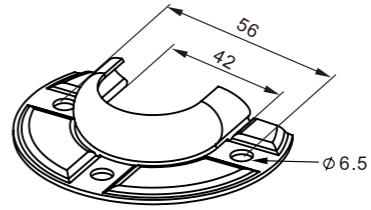



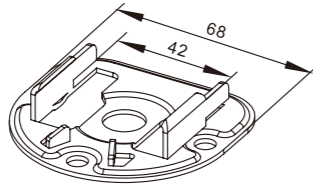

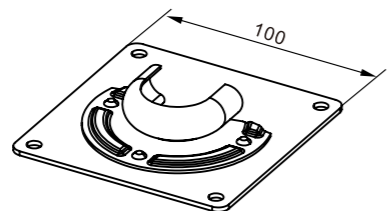

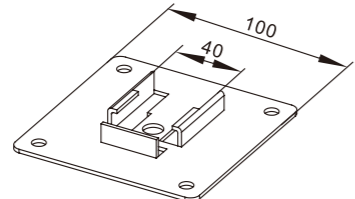

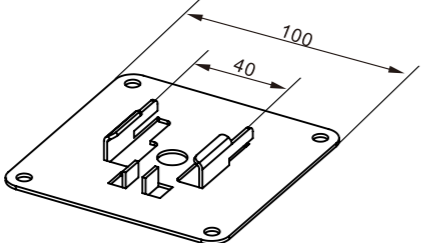
- RS-R080H** 800mm,White,Brown,Beige,Cream
- RS-R100H** 1000mm,White,Brown,Beige,Cream
- RS-R120H** 1200mm,White,Brown,Beige,Cream
- RS-R150H** 1500mm,White,Brown,Beige,Cream


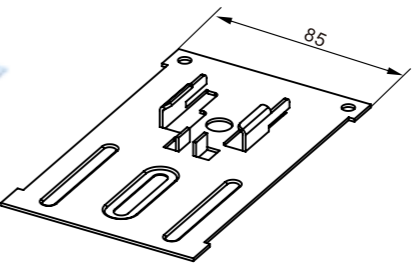

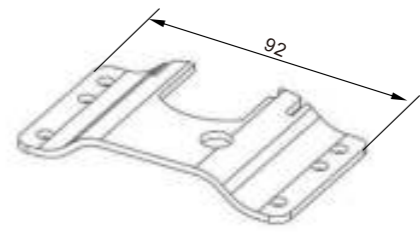
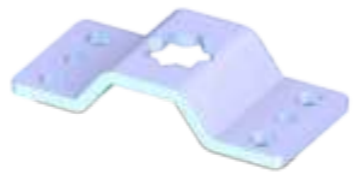
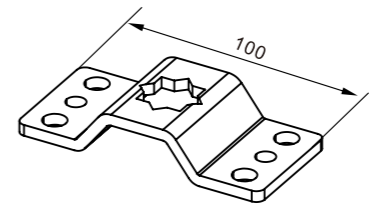
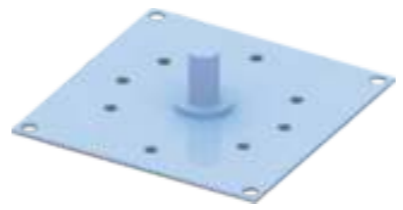
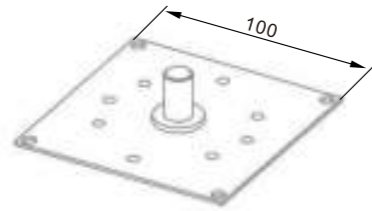

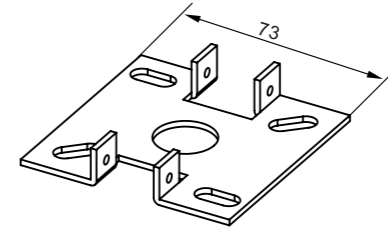
DRAWING	DIMENSION	REFERENCE	DESCRIPTION
		<p>RS-R080TF 800mm, White, Brown, Beige, Cream</p> <p>RS-R100TF 1000mm, White, Brown, Beige, Cream</p> <p>RS-R120TF 1200mm, White, Brown, Beige, Cream</p> <p>RS-R150TF 1500mm, White, Brown, Beige, Cream</p>	
		<p>RS-R014F 140mm, work with RS-WB01/02 winch box White, Brown, Beige, Cream</p>	
		<p>RS-014F/300 length 300mm 7*7 and 8*8</p>	
		<p>RS-UJ16 7x7</p>	
		RS-PL01	Plastic with stainless pin for 12-13mm
		RS-PL02	Plastic with stainless pin for 14mm
		RS-PL03	Stainless steel

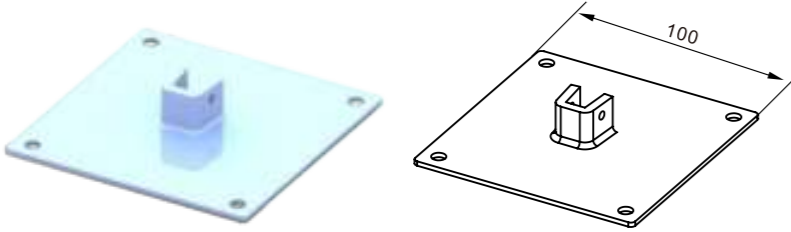
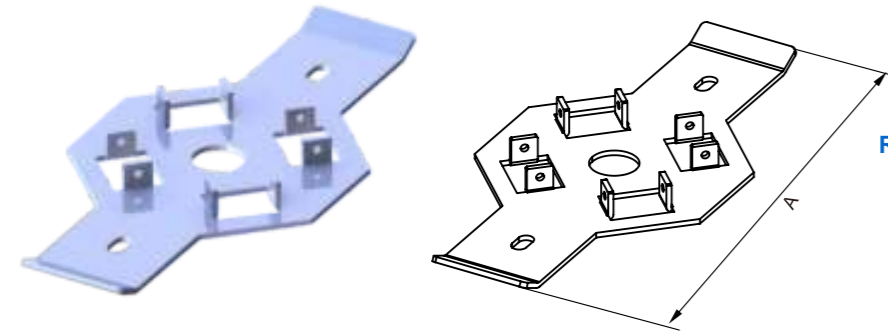
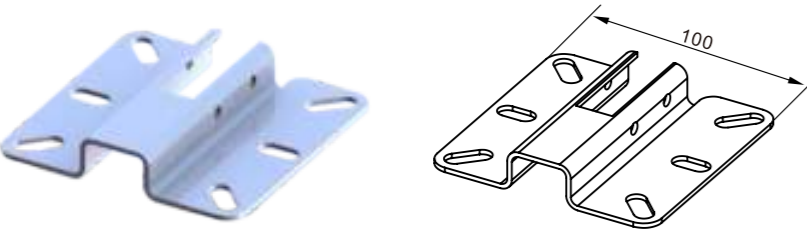
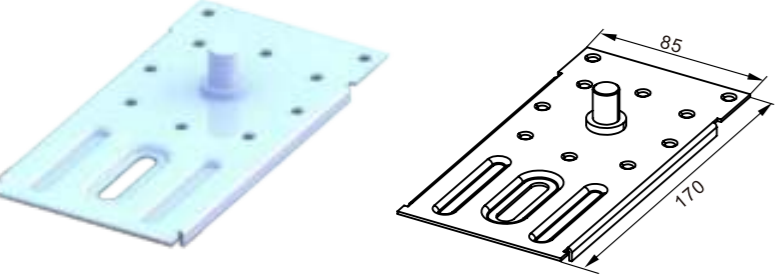
DRAWING	DIMENSION	REFERENCE	DESCRIPTION
		RS-BB28S	Steel sealed
		RS-BB28P	Plastic sealed
		RS-BB28N	Nylon inside High quality standard
		RS-BB28M	Steel inside High quality standard

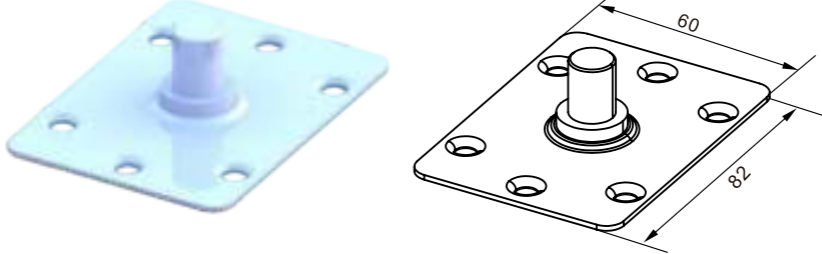
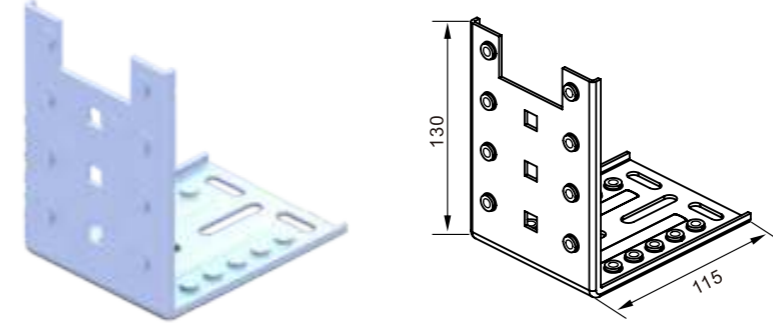
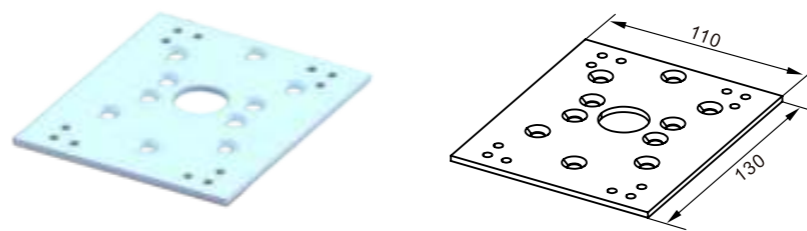

DRAWING	DIMENSION	REFERENCE	DESCRIPTION
		RS-BB40P/A RS-BB42P/A	Nylon inside Nylon inside
		RS-BB40M/A RS-BB42M/A	Steel inside Steel inside
		RS-BB40P/B	Nylon inside
		RS-BB40M/B	Steel inside

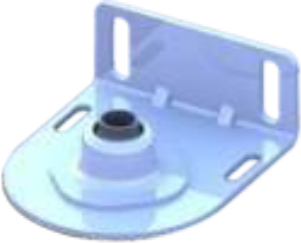
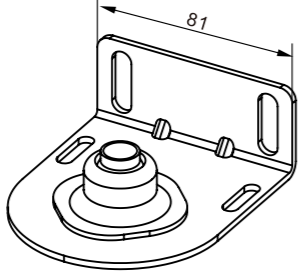
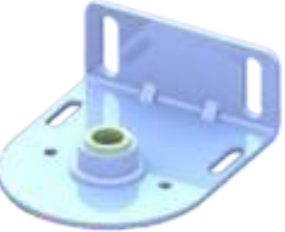
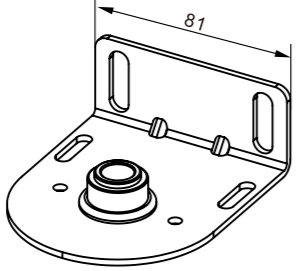

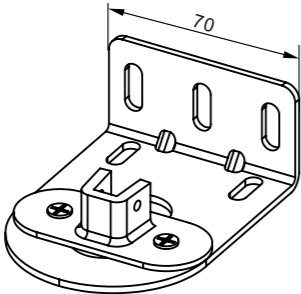
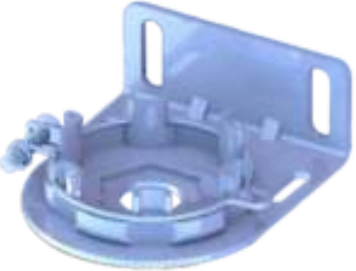
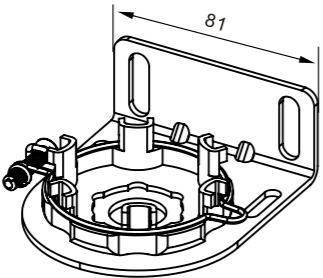
DRAWING	DIMENSION	REFERENCE	DESCRIPTION
		RS-BBB28	For 28mm bearing
		RS-BBB40	For 40 mm bearing
		RS-BBB40-01	For 40 series bearing
		RS-BBB40-02	For 40 series bearing


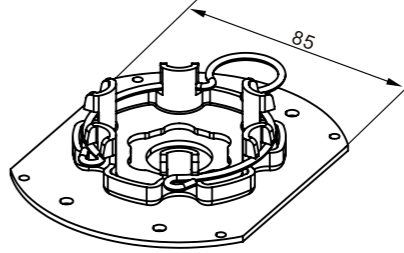

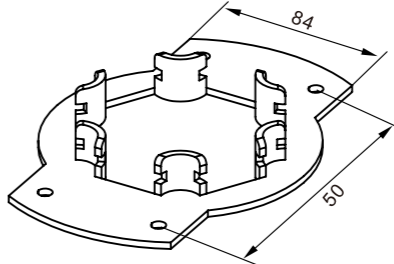

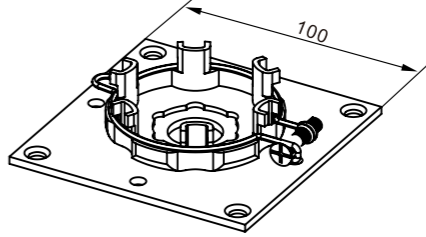
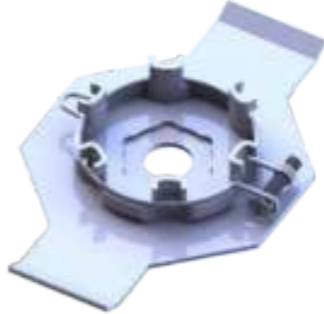
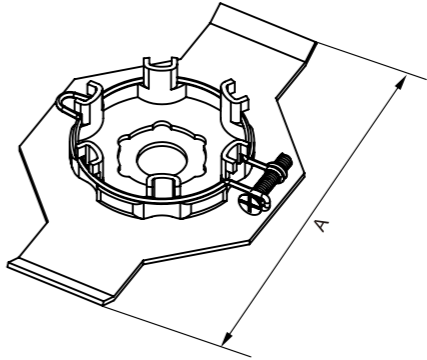
DRAWING	DIMENSION	REFERENCE	DESCRIPTION
		RS-BBB40-03	For 42 series bearing
		RS-BBB40-04	10×10mm For 42mm Bearing
		RS-BBB42	For 42 series bearing
		RS-BBB42E	Economic type


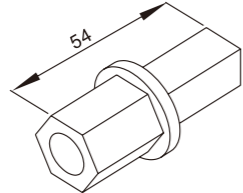

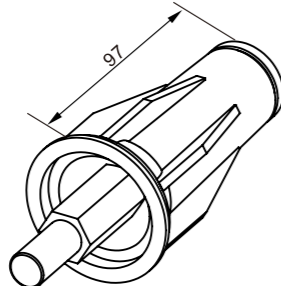

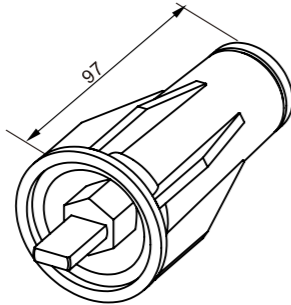

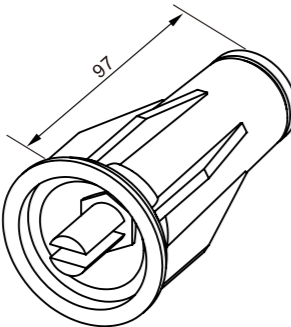
DRAWING	DIMENSION	REFERENCE	DESCRIPTION
		RS-BBB42-01	For 42mm Bearing
		RS-BBB42-03	For 42mm cycle bearing
		RS-BBM01	10*10mm 16*16mm
		RS-BBM02	100*100mm with 12mm pivot
		RS-BBM03	Motor bracket

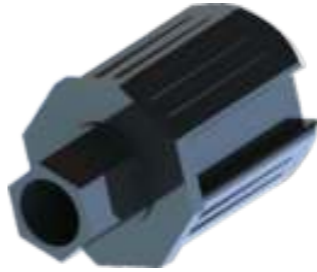
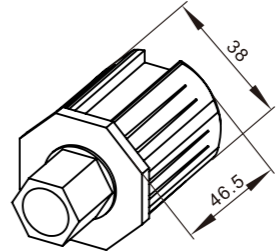
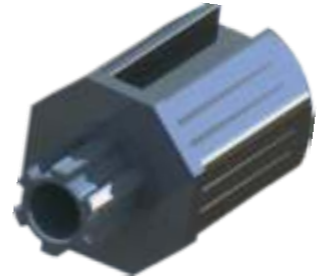
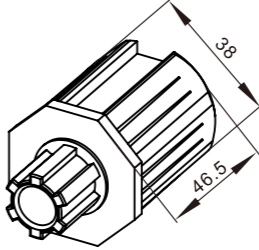
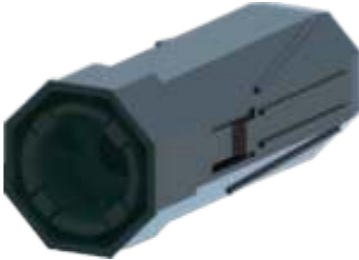
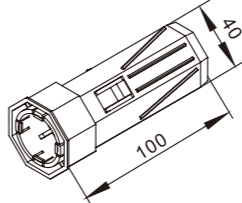
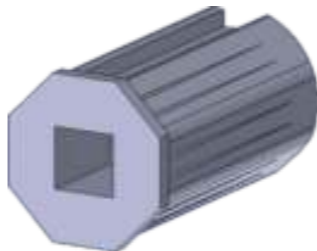
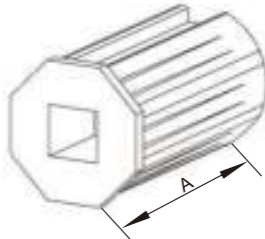
DRAWING	DIMENSION	REFERENCE	DESCRIPTION
	100	RS-BBM04	10*10mm 16*16mm
	A	RS-BBM05	A(mm) 137 A(mm) 150 A(mm) 165 A(mm) 180 A(mm) 205
	100	RS-BBM06	Motor bracket
	85 170	RS-BBM07	Motor bracket


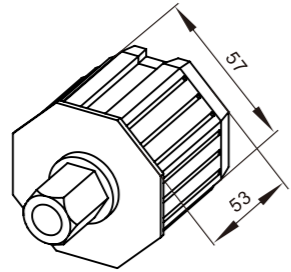
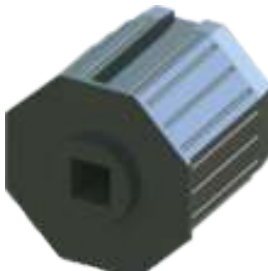
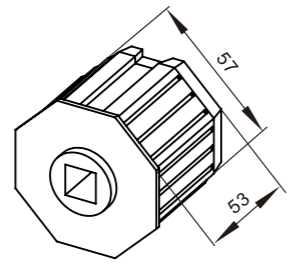

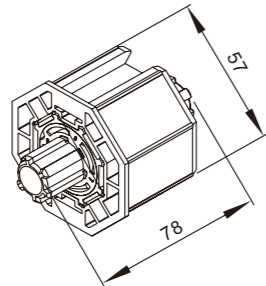

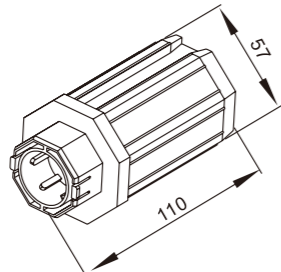
DRAWING	DIMENSION	REFERENCE	DESCRIPTION
	60 82	RS-BBM08	Motor bracket
	130 115	RS-BBM09	Motor bracket
	110 130	RS-BBM10	Motor bracket
		RS-BBM12	Bearing bracket

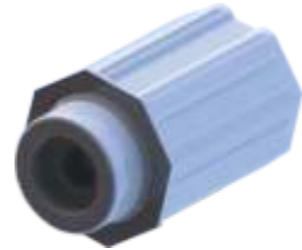
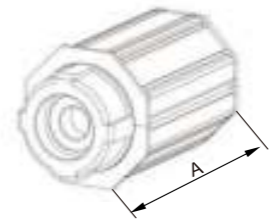
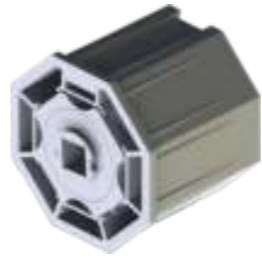
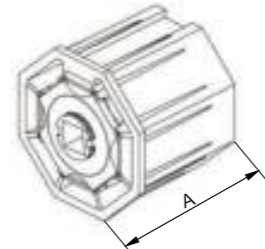
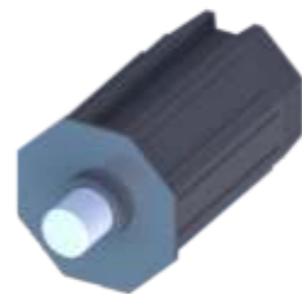
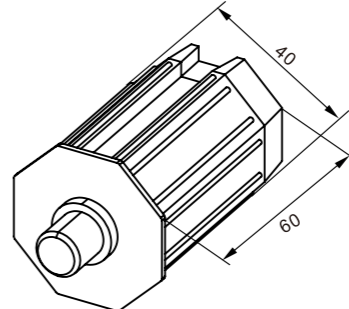
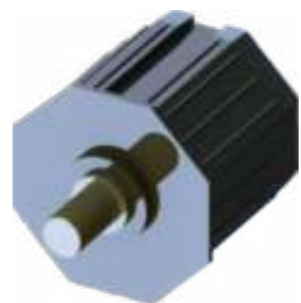
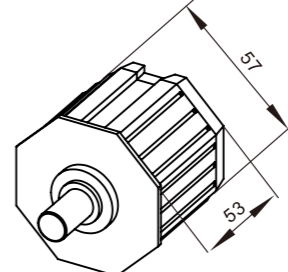
DRAWING	DIMENSION	REFERENCE	DESCRIPTION
		RS-BBS01	For SE01
		RS-BBS02	For SE02 and SE03
		RS-BBS03	Motor bracket
		RS-BBS04	Motor bracket

DRAWING	DIMENSION	REFERENCE	DESCRIPTION
		RS-BBS05	Motor bracket
		RS-BBS06	Motor bracket
		RS-BBS07	Motor bracket
		RS-BBS08	A(mm) 137 A(mm) 150 A(mm) 165 A(mm) 180 A(mm) 205


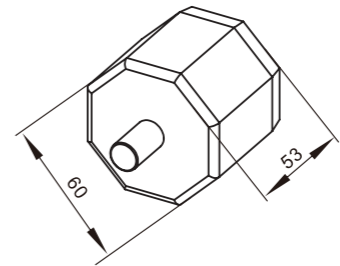

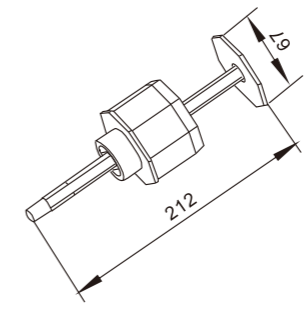
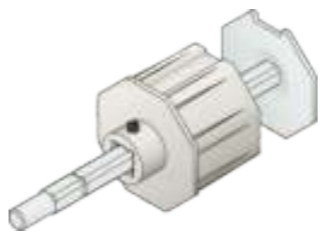
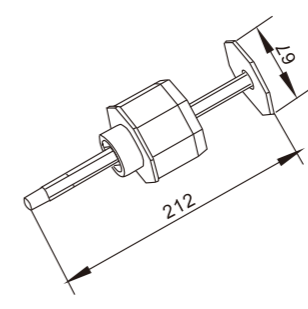

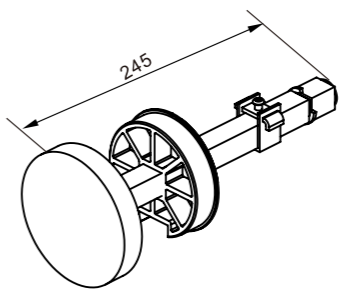
DRAWING	DIMENSION	REFERENCE	DESCRIPTION
		RS-BS01	Shaft bolt,Zinc alloy
		RS-ES01	Spring cap for 40mm Axle with crown
		RS-SE02	Middle support cap
		RS-SE03	Middle support cap

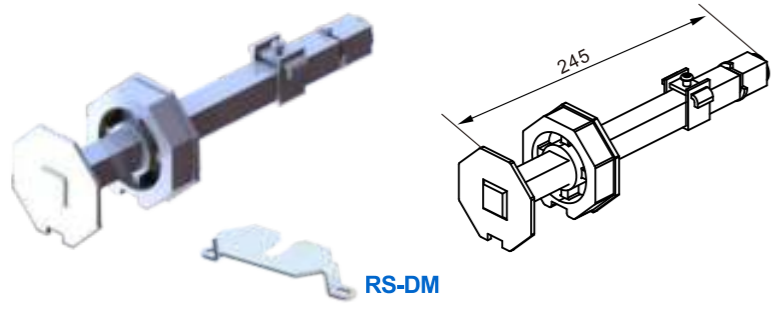
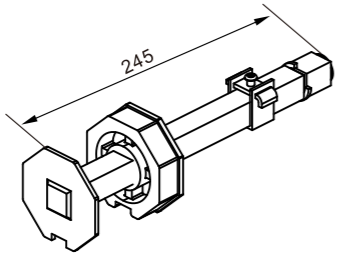

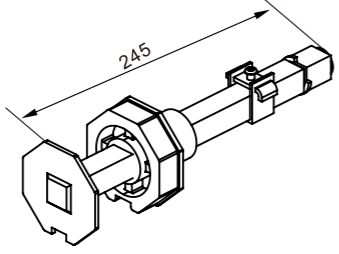

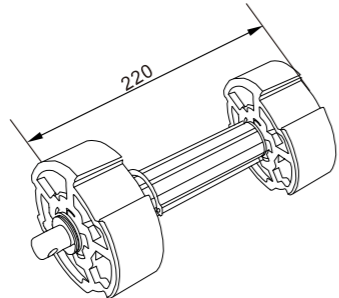

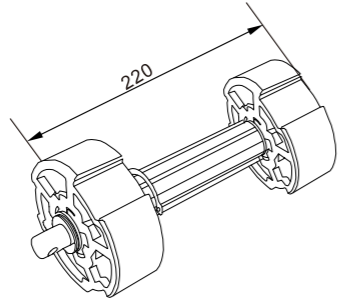
DRAWING	DIMENSION	REFERENCE	DESCRIPTION
		RS-DB40	For steel shaft 40
		RS-DB40-01	For steel shaft 40
		RS-DB40-02	For steel shaft 40
		RS-DB40-03	For steel shaft 40


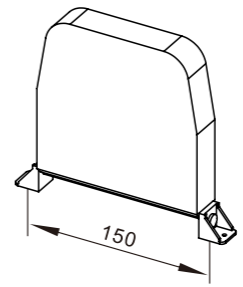

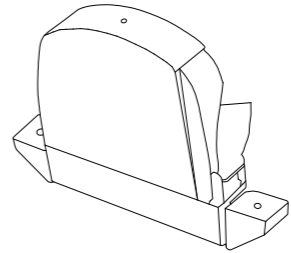

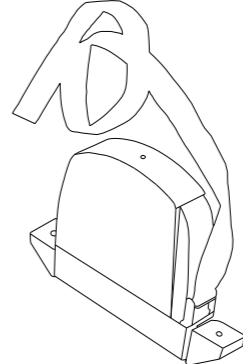
DRAWING	DIMENSION	REFERENCE	DESCRIPTION
		RS-DBZ57	For steel shaft 60
		RS-DB57-01	For steel shaft 60
		RS-DB57-02	Anti-over load function with RS-CW02
		RS-DB57-03	For steel shaft 60


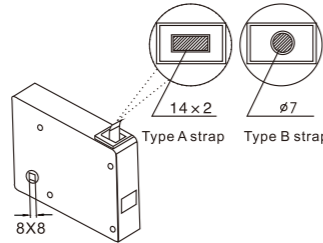

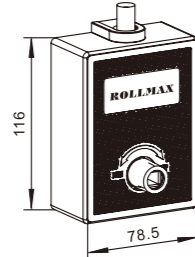




DRAWING	DIMENSION	REFERENCE	DESCRIPTION
		RS-DB57-03A	Aluminum cap for 60mm Axle
		RS-DB57-05	Limit part for the Gear RS-CW04
		RS-EC40	40mm
		RS-EC57-01	For steel shaft 60, with pivot


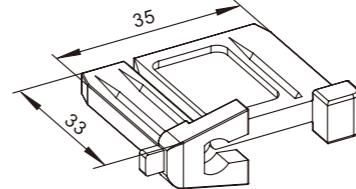
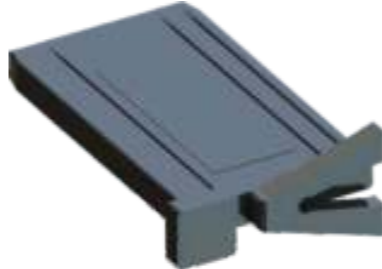
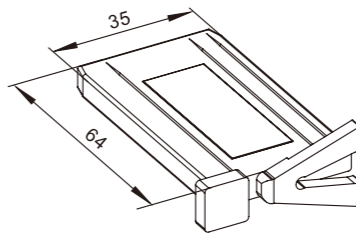

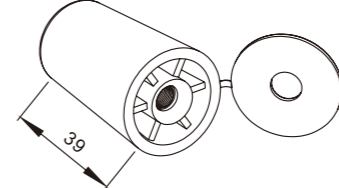


DRAWING	DIMENSION	REFERENCE	DESCRIPTION
		RS-EC57-02	For steel shaft 60, work with 28mm ball bearing
		RS-SC57-03	For steel shaft 60 with pivot
		RS-EC57-04	For steel shaft 60 with 40mm ball bearing
		RS-EC70B	For steel shaft 70 with pivot


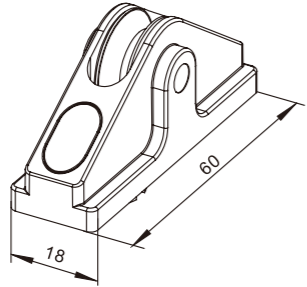

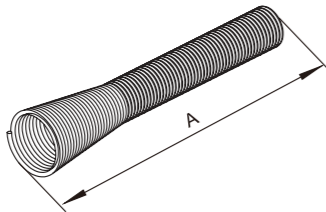

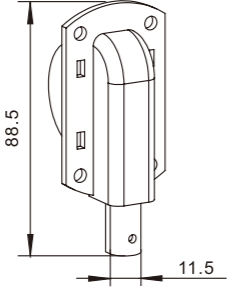

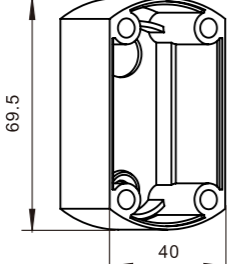

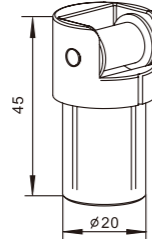
DRAWING	DIMENSION	REFERENCE	DESCRIPTION
		RS-EC60 RS-EC70	For steel shaft 60, with pivot
		RS-EC60P RS-EC70P	Adjustable plastic cap with steel pivot Adjustable plastic cap with steel pivot
		RS-EC60A RS-EC70A	Adjustable aluminum cap with steel pivot Adjustable aluminum cap with steel pivot
		RS-DM89	89mm


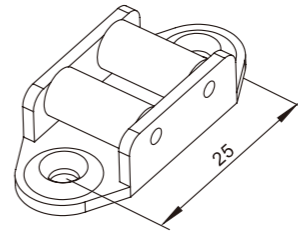

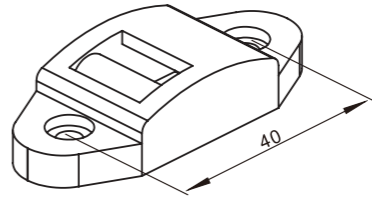

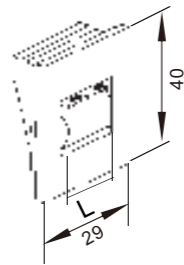
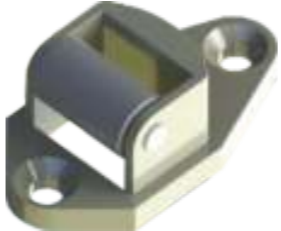
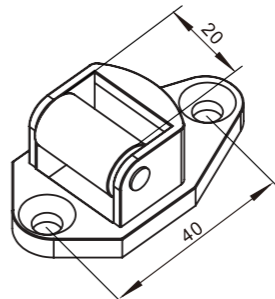
DRAWING	DIMENSION	REFERENCE	DESCRIPTION
		RS-DM70A	70mm
		RS-DM70B	70mm
		RS-BOS110	110mm
		RS-BOS89	89mm

DRAWING	DIMENSION	REFERENCE	DESCRIPTION
		RS-SR01/R RS-SR01/S	4.5m rope, White or Gray 4.5m strap, White or Gray
		RS-SR02	4.5m rope, White or Gray 4.5m strap, White or Gray
		RS-SR03	4.5m rope, White or Gray 4.5m strap, White or Gray

DRAWING	DIMENSION	REFERENCE	DESCRIPTION
		RS-WB01/R RS-WB01/S	4.5m rope, White or Gray 4.5m strap, White or Gray
		RS-WB02	With wireless steel and handle crank
		RS-WB03	With wireless steel and handle crank
		RS-WB03CB	Cover plate for RS-WB03 winch box


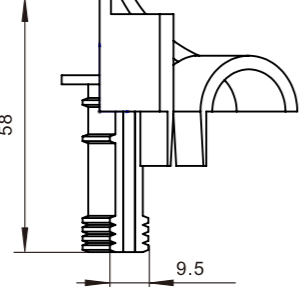

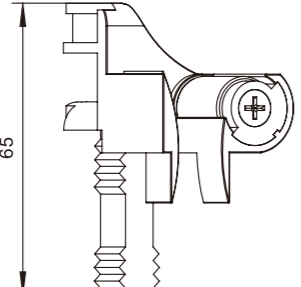



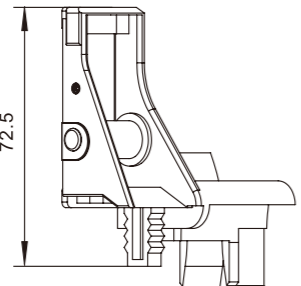
DRAWING	DIMENSION	REFERENCE	DESCRIPTION
		RS-SL01	For 37,42 slat
		RS-SL02	For 42,55 slat
		RS-CS02	For end slat
		RS-DC10	10mm, 12mm White, Cream, Beige






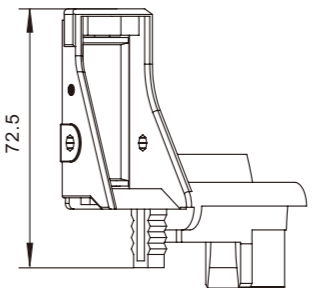


DRAWING	DIMENSION	REFERENCE	DESCRIPTION
		RS-RG05	Braid guide work with spring
		RS-RG06	Braid guide spring A=250 300
		RS-RG07	Guide cable
		RS-RG08	Funnel cover
		RS-RG09	Rope guide

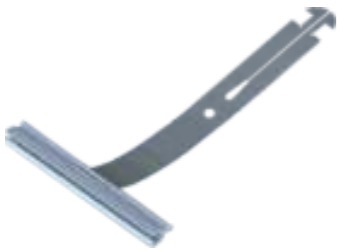

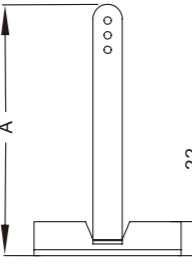

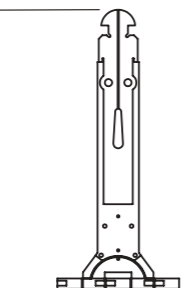
DRAWING	DIMENSION	REFERENCE	DESCRIPTION
		RS-GR01	For coiler and braid which
		RS-GR02	For coiler and braid which
		RS-GR03	For coiler and braid which
		RS-GR04	For coiler and braid which

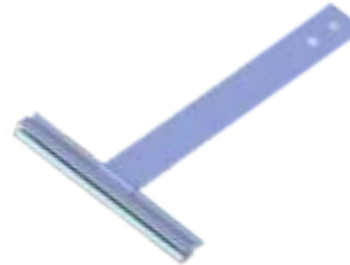
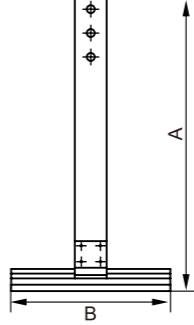
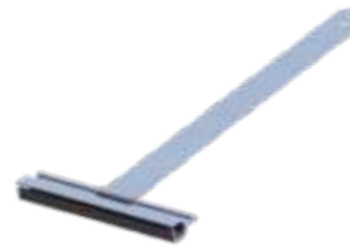
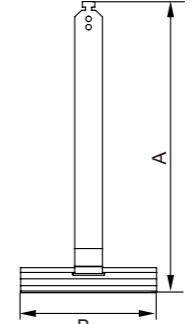
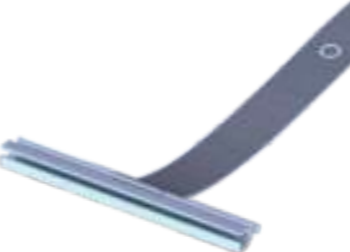
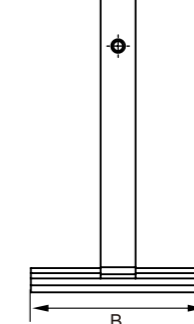
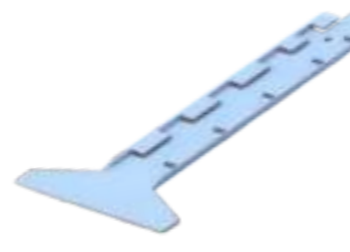
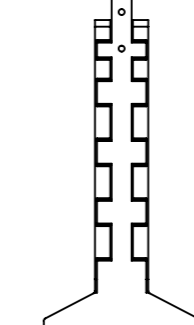
DRAWING	DIMENSION	REFERENCE	DESCRIPTION
		RS-TP01	For steel shaft 60 RS-TL60 For steel shaft 70 RS-TL70
		RS-AR01	For RS-TP 01
		RS-TP02	RS-TL3 RS-TL4 RS-TL5
		RS-AR02	For RS-TP 02 A=40mm 60mm 70mm
		RS-TP03	For slat 55 and 77
		RS-AR03	
		RS-TP04	For 37&39mm and 42&45mm slat

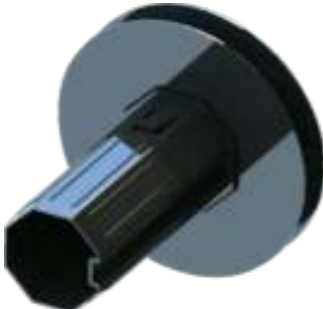
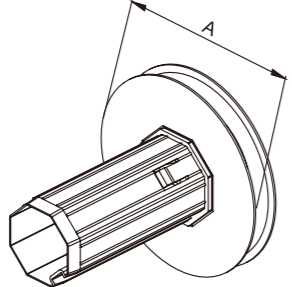

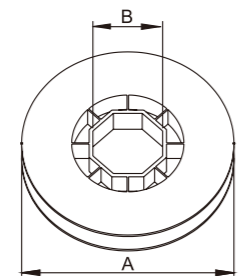
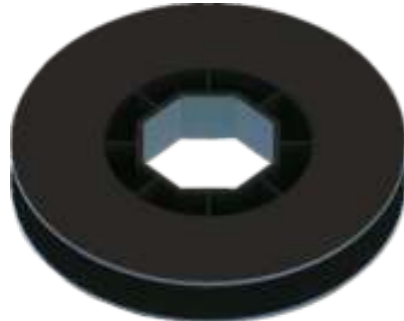
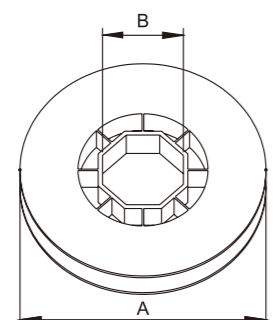
DRAWING	REFERENCE	DESCRIPTION
	RS-SL41	45mm slat
	RS-SL45	45mm slat
	RS-SLE55	55mm slat
	RS-SL60	60mm slat
	RS-SL77	77mm slat


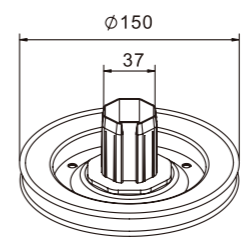

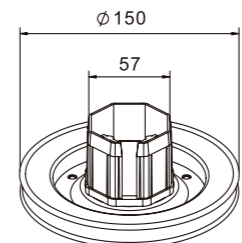

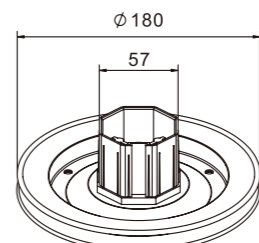

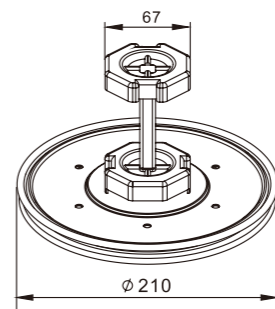
DRAWING	DIMENSION	REFERENCE	DESCRIPTION
		RS-EG01 Entry Guide	White or black for RS-SF165, 180, 205 series side frame
		RS-EG02 Entry Guide	White roller, for RS-SF165, 180, 205 series side frame
		RS-EG03	For RS-SF165 Classic and Heavy duty series side frame
		RS-EG04 Entry Guide	For RS-SF removable side frame series

DRAWING	DIMENSION	REFERENCE	DESCRIPTION
		RS-EG05	For RS-SF250 and RS-SF300 series side frame
		RS-EG06	For Door Roller Shutter
		RS-EG07 Entry Guide	For RS-SF removable side frame series
		RS-SR03	Pulley strap

DRAWING	DIMENSION	REFERENCE	DESCRIPTION
		RS-SS01	130-190 Series With felt With plastic cover
		RS-SS02	130-190 Series
		RS-SS03	130-170 Series
		RS-SS04	130-170 Series

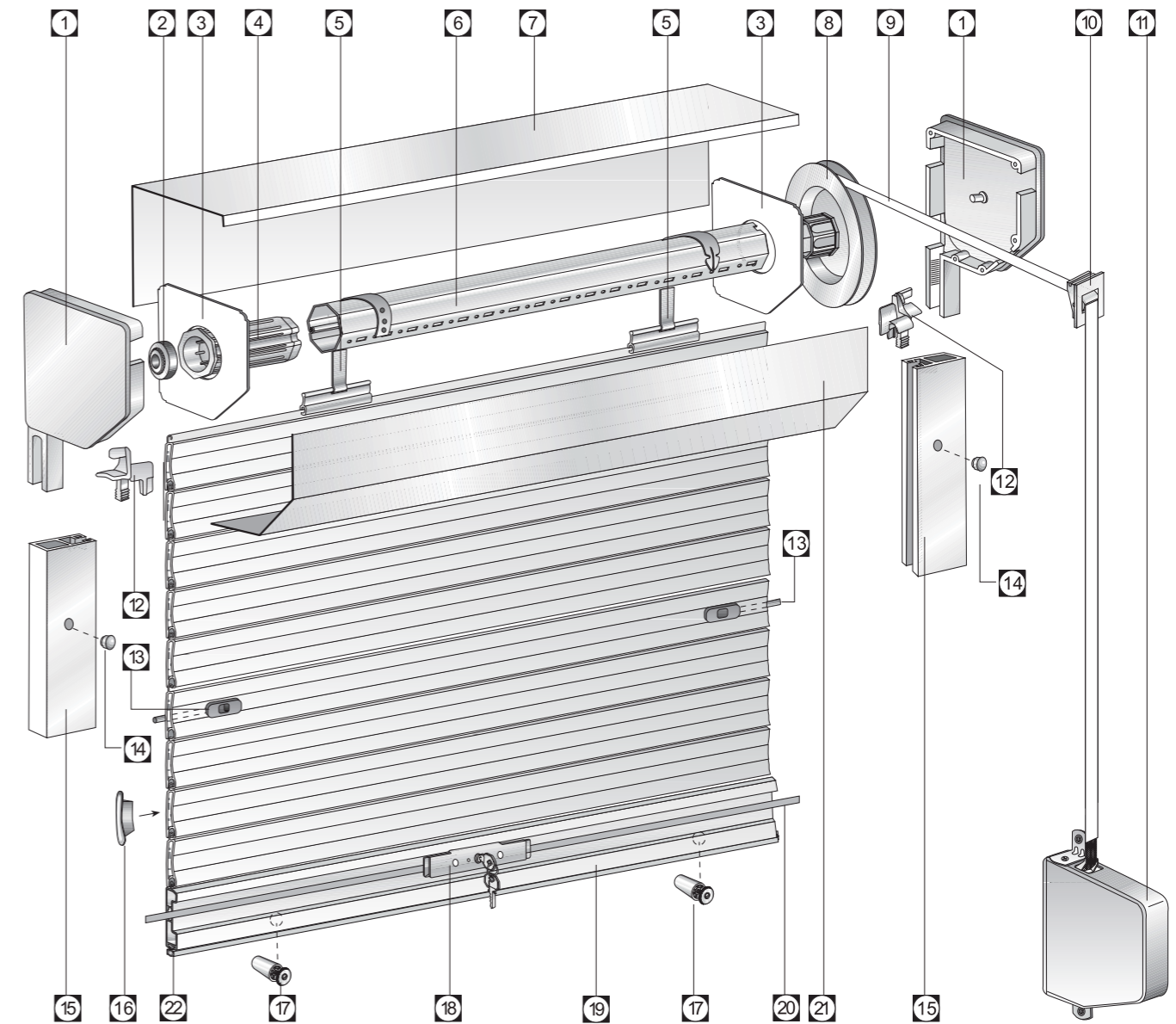
DRAWING	DIMENSION	REFERENCE	DESCRIPTION
		RS-SS05	130-190 Series With felt Holes customized Color customized
		RS-SS06	130-190 Series With felt Holes customized Color customized
		RS-SS08	130mm strap
		RS-SS09	Holes customized Color customized

DRAWING	DIMENSION	REFERENCE	DESCRIPTION
		<p>RS-RPP150/40 RS-RPP150/60 RS-RPP180/60</p>	<p>For steel shaft 40, with plastic cap For steel shaft 60, with plastic cap For steel shaft 60, with plastic cap</p>
		<p>RS-PP125 RS-PP140</p>	<p>For RS-DB40-02/RS-DB57-03 cap For RS-DB40-02/RS-DB57-03 cap</p>
		<p>RS-PP170 RS-PP190</p>	<p>For RS-DB40-02/RS-DB57-03 cap For RS-DB40-02/RS-DB57-03 cap</p>

DRAWING	DIMENSION	REFERENCE	DESCRIPTION
		RS-RP150/40	For steel shaft 40, with aluminum cap and ball bearing
		RS-RP150/60	For steel shaft 60, with aluminum cap and ball bearing
		RS-RP180/60	For steel shaft 60, with aluminum cap and ball bearing
		RS-RPS210/70	For steel shaft 70, with aluminum cap and ball bearing

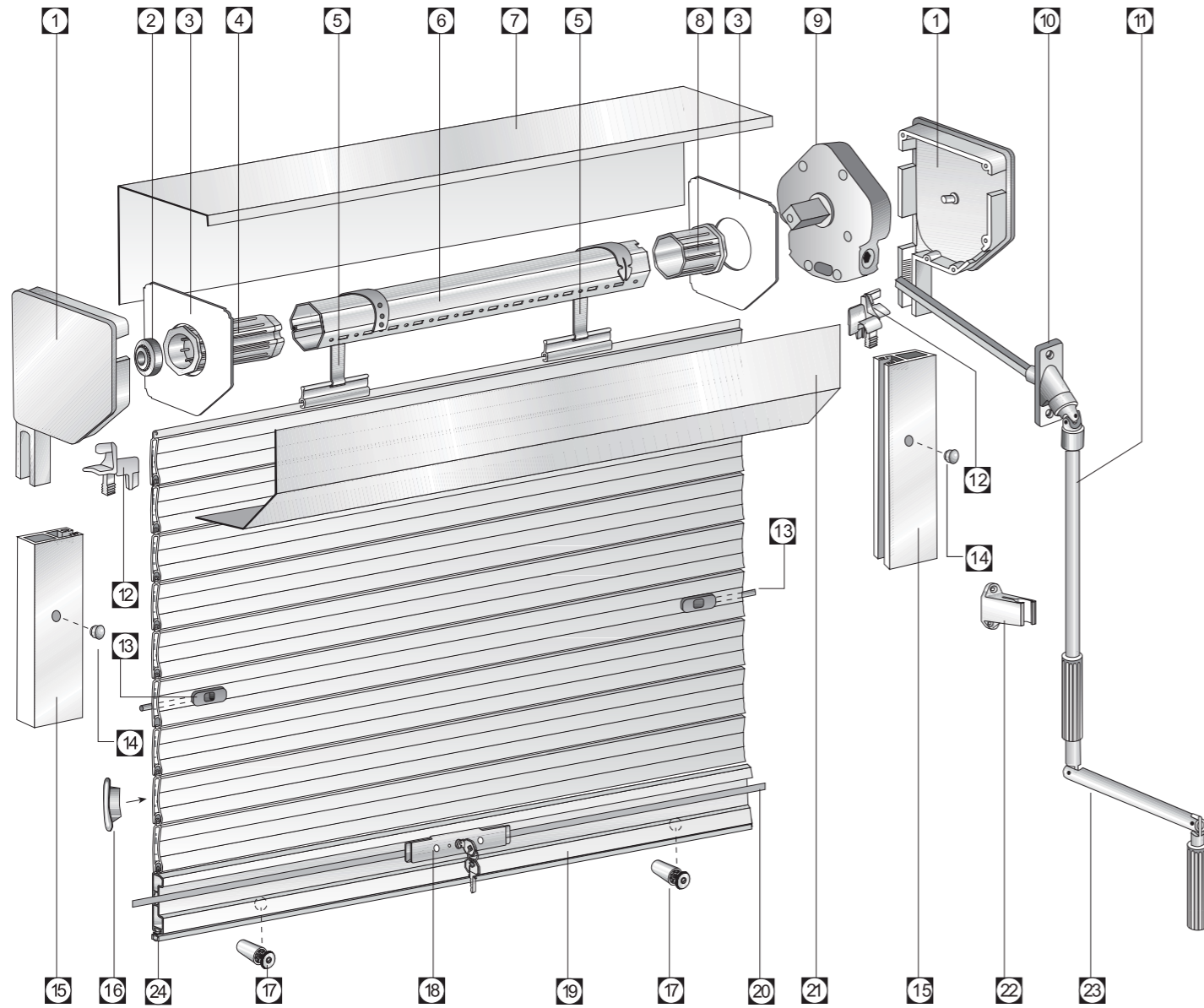
DRAWING	DIMENSION	REFERENCE	DESCRIPTION
	40	40 Galvanized	Octagonal thickness 0.5mm
	60	60 Galvanized	Octagonal thickness 0.6mm 0.8mm
	70	70 Galvanized	Octagonal thickness 0.8mm 1.0mm 1.2mm
	102	102 Galvanized	Octagonal thickness 1.8mm

SCHEMA DI ASSEMBLAGGIO / ASSEMBLING SCHEME / SCHEMA D'ASSEMBLAGE



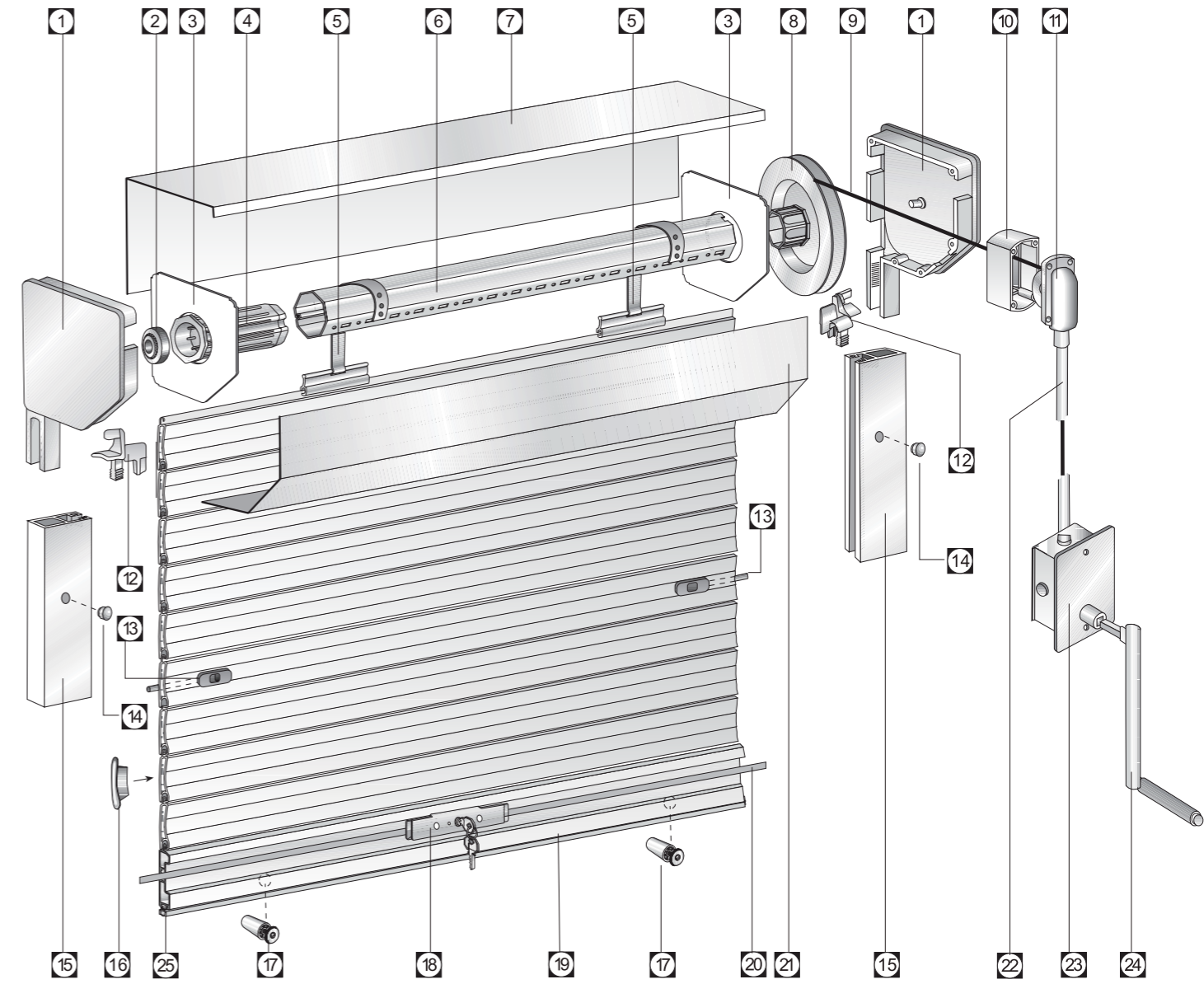
- 1 SIDE CAP
- 2 BALL BEARING
- 3 SAFETY PLATE
- 4 CAP
- 5 SPRING
- 6 ROLL AXE
- 7 BOX
- 8 PULLEY
- 9 STRAP
- 10 STRAP GUIDE FOR SIDE CAPS
- 11 COILER
- 12 ENTRY GUIDE
- 13 INTERMEDIATE LATCH
- 14 HOLE COVERING PLUG
- 15 GUIDE
- 16 LATERAL PLUG
- 17 PLASTIC STOPPER
- 18 LOCK
- 19 EXTRUDED END SLAT
- 20 LOCK PLATE
- 21 BOX
- 22 GASKET JOINT

SCHEMA DI ASSEMBLAGGIO / ASSEMBLING SCHEME / SCHEMA D'ASSEMBLAGE



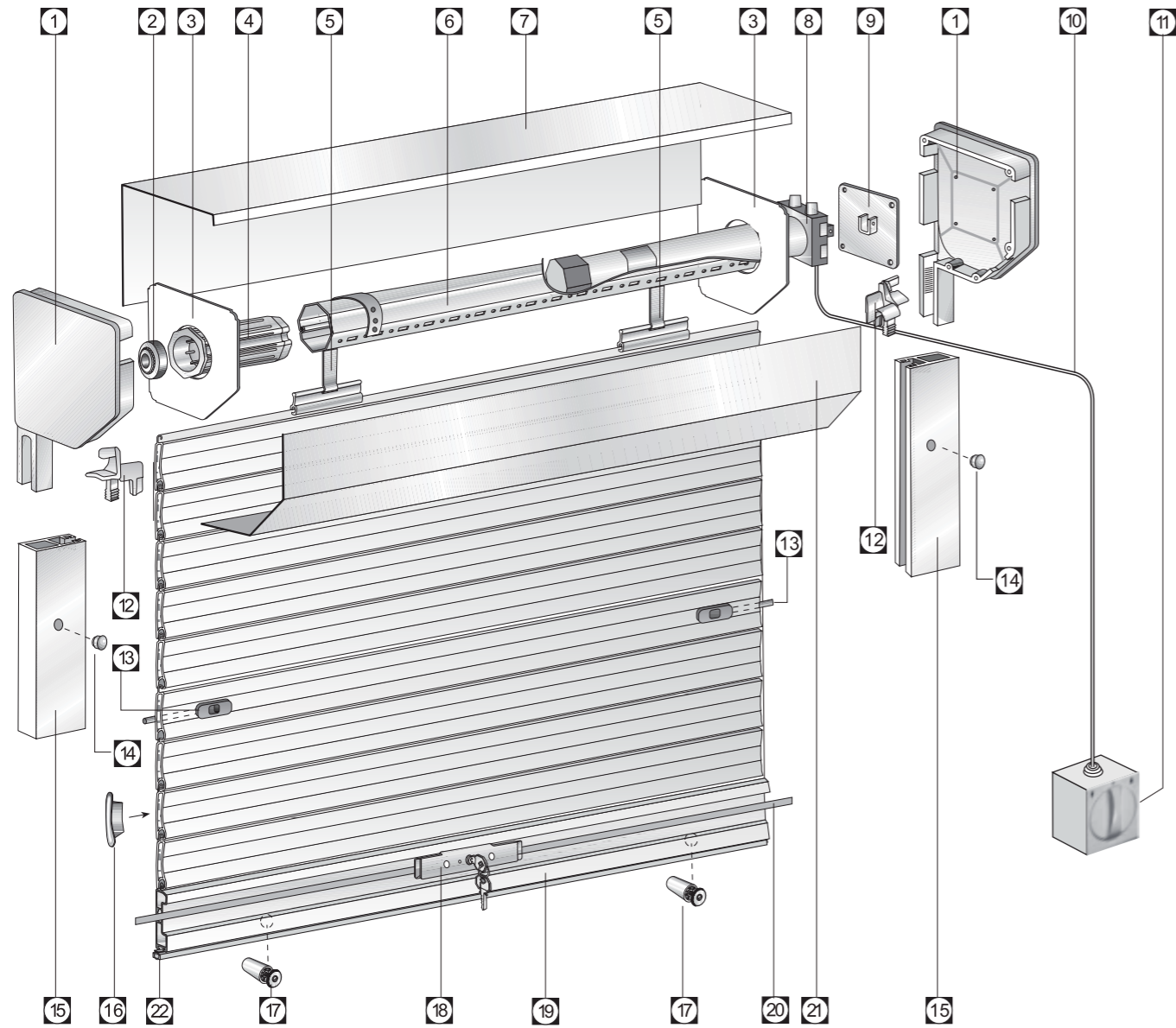
- | | | |
|----------------|-----------------------|----------------------|
| 1 SIDE CAP | 9 GEAR | 17 PLASTIC STOPPER |
| 2 BALL BEARING | 10 JOINT | 18 LOCK |
| 3 SAFETY PLATE | 11 HANDLE CRANK | 19 EXTRUDED END SLAT |
| 4 CAP | 12 ENTRY GUIDE | 20 LOCK PLATE |
| 5 SPRING | 13 INTERMEDIATE LATCH | 21 BOX |
| 6 ROLL AXE | 14 HOLE COVERING PLUG | 22 HANDLE STOPPER |
| 7 BOX | 15 GUIDE | 23 HANDLE |
| 8 CAP Ø13 | 16 LATERAL PLUG | 24 GASKET JOINT |

ASSEMBLING SCHEME



- | | | |
|----------------|-------------------------|-----------------------|
| 1 SIDE CAP | 9 ROPE CABLE | 17 PLASTIC STOPPER |
| 2 BALL BEARING | 10 SPACE FOR ROPE GUIDE | 18 LOCK |
| 3 SAFETY PLATE | 11 OUTSIDE ROPE GUIDE | 19 EXTRUDED END SLAT |
| 4 CAP | 12 ENTRY GUIDE | 20 LOCK PLATE |
| 5 SPRING | 13 INTERMEDIATE LATCH | 21 BOX |
| 6 ROLL AXE | 14 HOLE COVERING PLUG | 22 COVERING ROPE TUBE |
| 7 BOX | 15 GUIDE | 23 GEAR |
| 8 PULLEY | 16 LATERAL PLUG | 24 HANDLE |
| | | 25 JOINT |

ASSEMBLING SCHEME



- | | | |
|----------------|-----------------------|----------------------|
| 1 SIDE CAP | 9 MOTOR SUPPORT PLATE | 17 PLASTIC STOPPER |
| 2 BALL BEARING | 10 SUPPLYING WIRE | 18 LOCK |
| 3 SAFETY PLATE | 11 SWITCH | 19 EXTRUDED END SLAT |
| 4 CAP | 12 ENTRY GUIDE | 20 LOCK PLATE |
| 5 SPRING | 13 INTERMEDIATE LATCH | 21 BOX |
| 6 ROLL AXE | 14 HOLE COVERING PLUG | 22 GASKET JOINT |
| 7 BOX | 15 GUIDE | |
| 8 MOTOR | 16 LATERAL PLUG | |