



HARDWARE PRODUCTS



Wardrobe & Kitchen

Accessories

A) *Wardrobe Racks*



Highlights



Bedford China Co.,Ltd is a registered HongKong company, starts his commercial business on April.2004. In the year 2005, his own factory starts manufacturing wardrobe products, and named Xinxin hardware Factory in mainland China.

Xinxin Hardware Products Co.,Ltd (factory)is a vibrant Chinese factory for the wardrobe accessories, it's popular in European countries for Quality and open mind.

Xinxin factory mainly has 4 major developed and manufacturing products as following,

- 1) Fashion wardrobe accessories such as hangers, tie racks, trouser rack, extendable shoe racks etc;
- 2) Wardrobe sliding door wheels or rollers;
- 3) Fashion functional slides with 3 steps and soft closing system.
- 4) Kitchen items .

Xinxin hardware factory locates at Shiwan town, Boluo county, Huizhou city, Guangdong province. It's close to Shenzhen and Guangzhou city. It's very convenient for the delivery and transportation.

Up to now, Xinxin has manufactured this wardrobe accessory business line for more than 18 years. Welcome you to join us at any time.

Tie & Belt Rack Series



Item No.: ET010
 Description: Tie and belt rack
 Finish: Chrome (亮铬领带和皮带架)
 Size: 28(W) x 31 (H) cm



Item No.: ET020
 Description: Dress Hanger
 Finish: Chrome (挂衣架)
 Size: Length 41cm

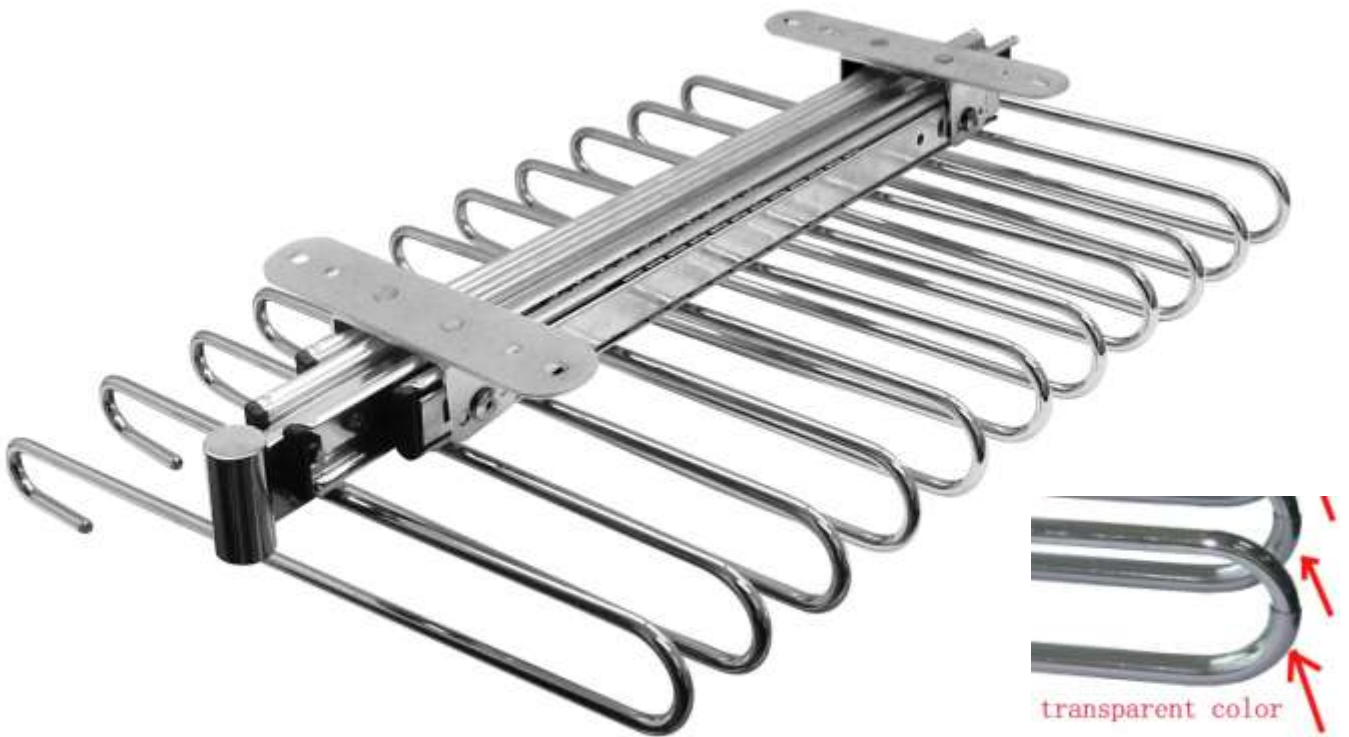
CHROME FINISH

Promotional Trouser Rack



Item No.: ET052
Description: 12 Hanger Trouser Rack
Finish: Chrome (12钩裤架 亮铬)
Size: 46.5(D)x33(W)cm

TRADITIONAL SERIES
TROUSER RACK STRONG WIRE SERIES
& WITH ANTI-**SLIDE** “**GOMA**”



ANTI SLIDE”GOMA”



Item No.: ET055V8
Description: 8 Hanger Trouser Rack
Finish: Chrome(8钩裤架 亮铬)
Size: 46.5(D)x33(W)cm

Item No.: ET055V9
Description: 9 Hanger Trouser Rack
Finish: Chrome(9钩裤架 亮铬)
Size: 46.5(D)x33(W)cm



Item No.: ET053
Description: 11 Hanger Trouser Rack with or without anti-**slide plastic** “**GOMA**”.
Finish: Chrome (11钩裤架 亮铬)
Size: 46.5(D)x33(W)cm

TRADITIONAL SERIES

TROUSER RACK STRONG WIRE SERIES
& WITH ANTI-SLIDE RUBBER RINGS



ANTI-SLIDE RINGS

Item No.: ET053M
Description: 11 Hanger Trouser Rack
Finish: Chrome (11 钩裤架 亮铬)
Size: 46.5(D)x33(W)cm

TRADITIONAL SERIES
TROUSER RACK STRONG WIRE SERIES
& WITH ANTI-**SLIDE** “**GOMA**”



Item No.: ET053V2
Description: 11 Hanger Trousers Rack with anti-**slide** “**GOMA**”
Finish: Chrome (11 钩裤架 亮铬)
Size: 46.5(D)x33(W)cm
Material: Solid steel rod
Handle: Round Bar

TRADITIONAL SERIES

TROUSER RACK STRONG PIPE SERIES
WITH ANTI-SLIDE RINGS



Item No.: ET053P
Description: 11 Hanger Trouser Rack
Finish: Chrome (11钩裤架 亮铬)
Size: 46.5(D)x33(W)cm
Material: Hollow steel pipe
Handle : Square Shape

TRADITIONAL SERIES

TROUSER RACK STRONG WIRE SERIES
& WITH ANTI-SLIDE "GOMA"



ITEM NO.: ET053S

DESCRIPTION: STRONG 11 HANGERS TROUSER RACK

OPTIONS: 1)CAN HAVE 10 OR 12 HANGERS;

2)ROUND HANDLE OR SQUARE HANDLE.

3)CAN HAVE CHROME OR SILVER FINISH

SIZE: 46.5X11.5X33CM

TRADITIONAL SERIES

TROUSER RACK PAINTING SERIES



ITEM NO.: B8053

DESCRIPTION: STRONG 11 HANGERS TROUSER RACK

OPTIONS: 1)CAN HAVE 9 OR 8 HANGERS;

2)CAN PUT GOMA TO PRVENT TROUSERS
SLIDING DOWN

SIZE: 45X14X35.5CM



TRADITIONAL SERIES

TROUSER RACK STRONG WIRE SERIES
& WITH ANTI-SLIDE "GOMA"

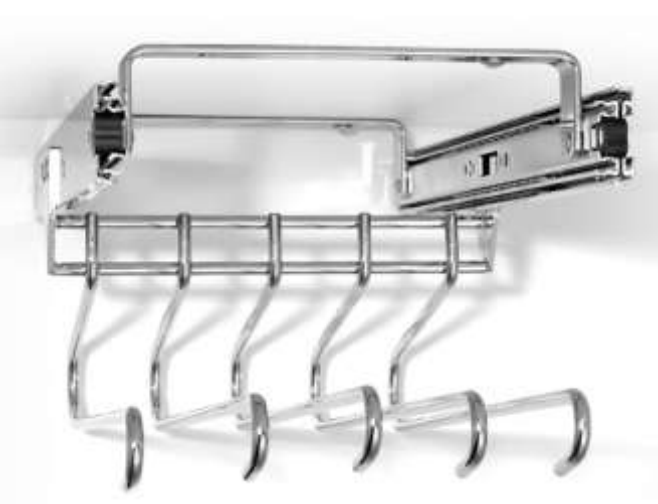


Item No.: ET040
Description: 10 Hanger Trouser Rack
Finish: Chrome(10钩裤架 亮铬)
Size: 35(D)x40(W)cm

Item No.: PA101
Description: 10 Hanger Trouser Rack
Finish: Chrome(10钩裤架 亮铬)
Size: 35(D)x45(W)cm

TRADITIONAL SERIES

TROUSER RACK STRONG WIRE SERIES
& WITH ANTI-SLIDE "GOMA"



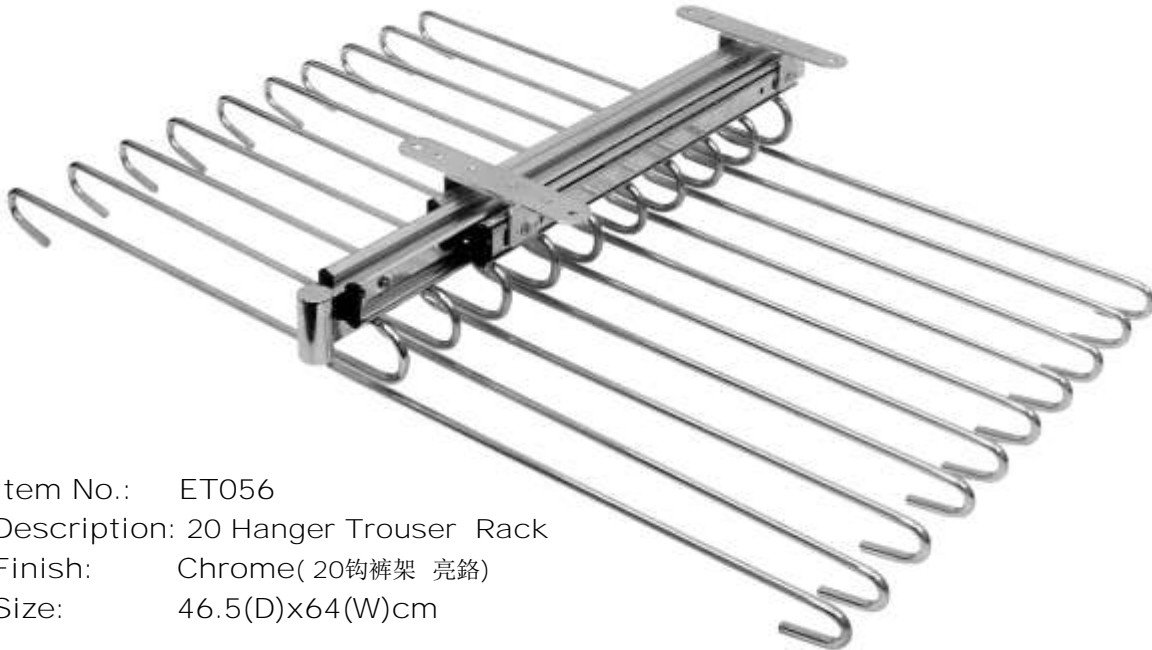
Item No.: ET050
Description: 5 Hanger Trouser Rack
Finish: Chrome(5钩裤架 亮铬)
Size: 35(D)x20(W)cm



Item No.: PA001
Description: 5 Hanger Trouser Rack
Finish: Chrome(5钩裤架 亮铬)
Size: 35(D)x20(W)cm

TRADITIONAL SERIES

TROUSER RACK STRONG WIRE SERIES
& WITH ANTI-**SLIDE** "GOMA"



Item No.: ET056
Description: 20 Hanger Trouser Rack
Finish: Chrome(20钩裤架 亮铬)
Size: 46.5(D)x64(W)cm



Item No.: PA130
Description: 20 Hanger Trouser Rack
Finish: Chrome(20钩裤架 亮铬)
Size: 46.5(D)x64(W)cm

TRADITIONAL SERIES

TROUSER RACK STRONG PIPE SERIES
WITH ANTI-SLIDE RINGS



Item No.: ET058
Description: 18 Hanger Trouser Rack
Finish: Chrome (18钩裤架)
Size: 46.5(D)x69(W)cm



Item No.: ET058P
Description: 18 Hanger Trouser Rack
Finish: Chrome (18钩裤架)
Size: 46.5(D)x69(W)cm
Options: can have 20 hangers
Can have anti-slide rings

TRADITIONAL SERIES

TROUSER RACK STRONG PIPE SERIES



ITEM NO.: PA150

DESCRIPTION: STRONG PIPE 15 HANGERS TROUSER RACK

OPTIONS: 1)CAN HAVE 10 OR 12 HANGERS;

2)CAN HAVE THE PULL OUT BAR.

3)RINGS TO PREVENT TROUSERS SLIDING DOWN

SIZE: 58X11X35CM

TRADITIONAL SERIES

WARDROBE LIFTER



Item No.: TP210
 Description: LIFTER
 Finish: TUBE Chrome/BLACK
 Size: EXTENDABLE 45-60CM
 EXTENDABLE 60-83CM
 EXTENDABLE 83-115CM

Item No.: TP200
 Description: LIFTER
 Finish: ALUMINUM/SILVER
 Size: EXTENDABLE 45-60CM
 EXTENDABLE 60-83CM
 EXTENDABLE 83-115CM

TRADITIONAL SERIES

EXTENDALBE SIDE SHOE RACK
PAINTING FINISH



ITEM NO.: B8071
DESCRIPTION: EXTENDALBE SIDE SHOE RACK
SIZE: 44X31X85CM
OPTIONS: 4 SHELVES

ITEM NO.: B8072
DESCRIPTION: EXTENDALBE SIDE SHOE RACK
SIZE: 44X31X64CM
OPTIONS: 3 SHELVES

TRADITIONAL SERIES
EXTRACTABLE BASKET



ITEM NO.: B8031
DESCRIPTION: EXTRACTABLE BASKET
SIZE: 44X32X15CM

STYLISH SERIES Hangers



ITEM NO.: ET130L

DESCRIPTION: EXTENDABLE HANGERS

OPTIONS: 1)CAN HAVE 250,300,350,400,450,500,550mm ,
SPECIAL LENGTH: 770MM;
2)ROUND SHAPE OR TRIANGLE END.

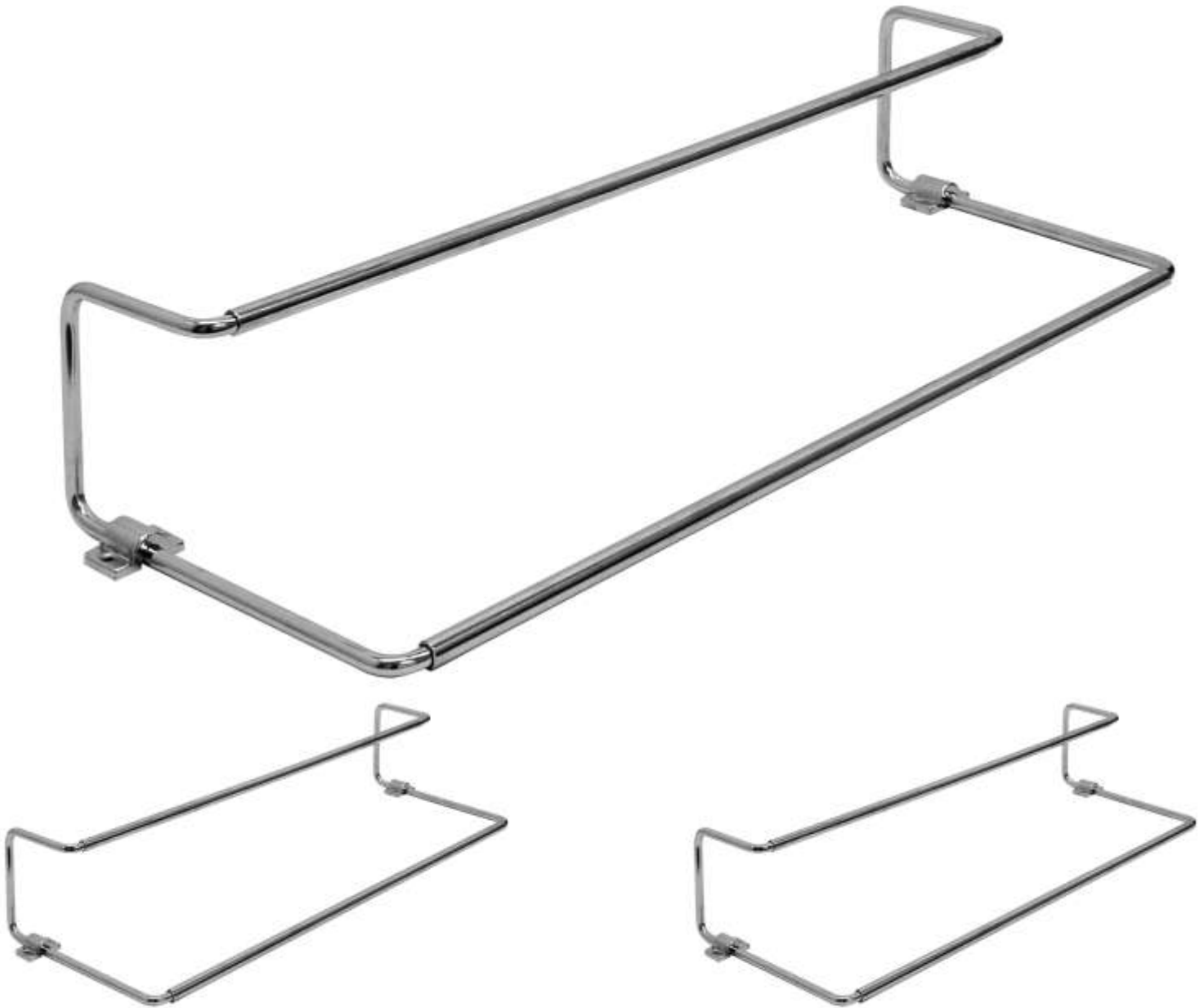
SIZE: 77X9X11CM

TRADITIONAL SERIES
Hangers



ITEM NO.: ET110
DESCRIPTION: EXTENDABLE HANGERS
OPTIONS: CAN HAVE 300,350,400,450,500MM SIZES.
SIZE: 30X6X7CM

TRADITIONAL SERIES
EXTENDABLE SHOE RACK (FIXED)



ITEM NO.: ET060F(56-100CM)

DESCRIPTION: EXTENDABLE SHOE RACK 56-100CM

OPTIONS: 1)FIXED, NO SLIDE;

2)CAN HAVE 60-110CM, 56-100CM,46-80CM,
AND 30-45CM EXTENSION SIZE.

SIZE: 55X11X8CM

TRADITIONAL SERIES

SHOE RACK (EXTENDABLE)

Soft Closing System



ITEM NO.: ET060(56-100CM)

DESCRIPTION: EXTENDABLE SHOE RACK 56-100CM

OPTIONS: 1)CAN HAVE 3 STEPS SOFT CLOSING SYSTEM;
2)CAN HAVE 60-110CM, 56-100CM,46-80CM,
AND 30-45CM EXTENSION SIZE.

SIZE: 55X11.5X45CM

TRADITIONAL TIE RACK SERIES



TP032
WALLET & TIE RACK
SIZE: L49.5 X 7.5CM



TP033
EXTENDABLE TIE RACK
SIZE: L49.5 X 7.5CM

TRADITIONAL SERIES

EXTRACTABLE TIE & BAG RACK



Item No.: ET030
Description: Extendable Tie and Bags Rack
Finish: Chrome (亮铬 领带 包袋架)
Size: Length 44cm



ITEM NO.: TP285
DESCRIPTION: EXTENDABLE TIE & TROUSER RACK
SIZE: 4650X345X90MM

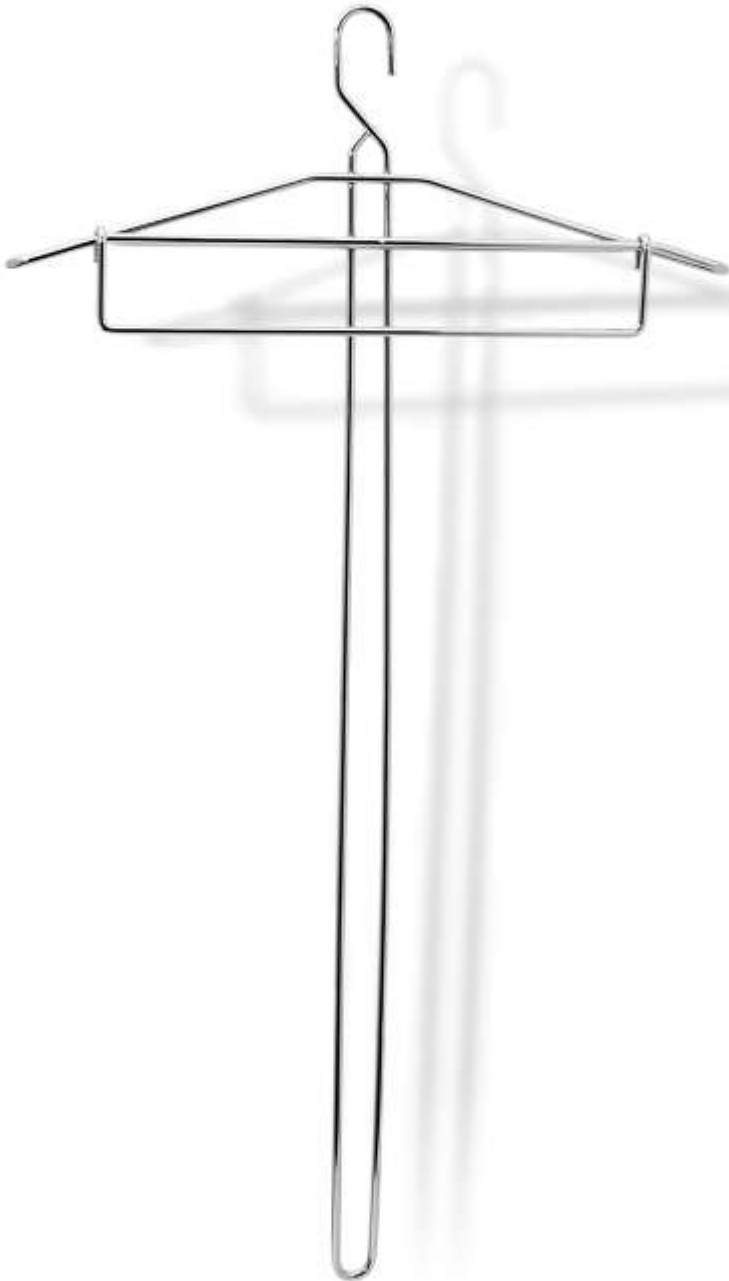
LATERAL SHOE RACK

PULL OUT 3 STEPS



Item No.: ET084
Description: LATERAL SHOE RACK
Finish: Chrome
Size: 42(D)x35(W)x60(H)CM

*LONG HANDLE HANGER
SERIES*



Item No.: ET090
Description: Long hanger handle(长衣架)
Finish: Chrome
Size: Length 80cm

WARDROBE BASKET

PULL OUT 3 STEPS



Item No.: FIBKT1200
Description: EXTENDABLE BASKET
Finish: CHROME
Size: 56-120CM



Item No.: FIBKT900
Description: EXTENDABLE WARDROBE BASKET
Finish: CHROME
Size: 46-90CM / 35-70CM

WARDROBE BASKET

PULL OUT SERIES



Item No.: ET100

Description: SLEEVE KEEPER

Finish: CHROME (遮袖架)

Size: 7(D)x25(W)x2.5(H)CM

TRADITIONAL SERIES
Alu trouser racks



ITEM NO.: TP260 B (CAN BE EXTENDED 400MM LONG)

DESCRIPTION: ALU EXTENDABLE TROUSER RACKS

SIZE: (625-1010)X460X90MM

Cabinet width: 660 — 1010 mm

FINISH OPTIONS: CHAMPANGE

TRADITIONAL SERIES
Alu trouser racks



ITEM NO.: TP230

DESCRIPTION: ALU EXTENDABLE TROUSER RACKS

SIZE: (559-579)X460X80MM
(659-679)X460X80MM
(759-779)X460X80MM
(859-879)X460X80MM, (959-979)X460X80MM

NEW TROUSER RACK
WITH SOFT CLOSING



ITEM NO.: TP280
DESCRIPTION: SOFT CLOSING TROUSER RACK (18-20 HANGERS)
SIZE: CUSTOMIZED TO MATCH CABINET WIDTH
FRAME: ALUMINIUM
HANGERS: BLACK WITH ANTISLIDE

NEW TROUSER RACK

WITH SOFT CLOSING



ITEM NO.: TP281

DESCRIPTION: SOFT CLOSING TROUSER RACK (18-20 HANGERS)

SIZE: CUSTOMIZED TO MATCH CABINET WIDTH

FRAME: ALUMINIUM

HANGERS: BLACK WITH ANTISLIDE

B) SLIDES

NEW PANTRY SLIDE

HEAVY DUTY SLIDES W/soft-closing



BOTTOM SLIDE



TOP SLIDE



ITEM NO.: 1801-050

DESCRIPTION:

SIZE:

OPTIONS: SOFT CLOSING SYSTEM

NEW PANTRY SLIDE

HEAVY DUTY SLIDES W/soft-closing



BOTTOM SLIDE TOP SLIDE



ITEM NO.: BFX6688

DESCRIPTION:

SIZE: 1801-050

OPTIONS: HAVE SOFT CLOSING SYSTEM

SLIDE SERIES

45 SERIES 3 STEPS SLIDES



ITEM NO.: UPPER 1801-035 & LOWER 1801-045

DESCRIPTION: 45 SERIES SLIDE

SIZE: CAN HAVE 300, 340, 350, 360, 380, 400, 437, 450, 500MM LENGTH.

OPTIONS: CAN HAVE SOFT CLOSING SYSTEM

SLIDE SERIES

27 SERIES 3 STEPS SLIDES



METAL SUPPORT

PLASTIC SUPPORT



ITEM NO.: 1801-027

DESCRIPTION: 27 SERIES SLIDE

SIZE: CAN HAVE 300, 340, 350, 360, 380, 400, 437, 450, 700MM LENGTH.

OPTIONS: NO SOFT CLOSING SYSTEM

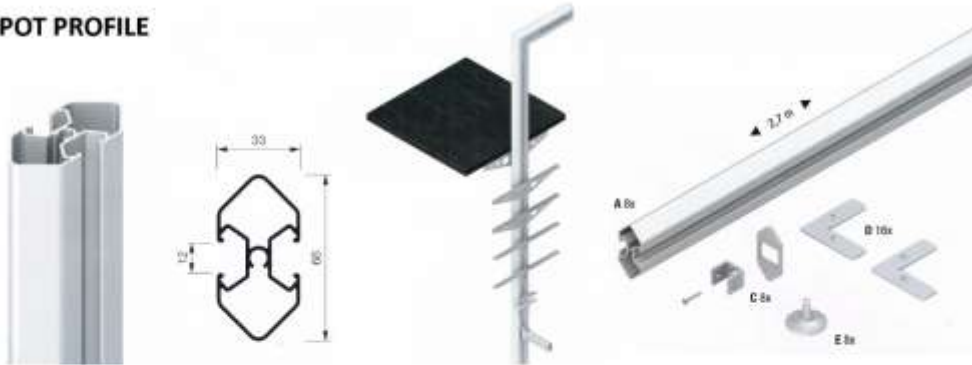
WARDROBE ROOM PROFILES



WITH SPOT PROFILES, CAN HAVE SIMPLE AND MODERN BIG OPEN SPACE ROOM.

SPOT & QUADRO PROFILES & ACCESSORIES

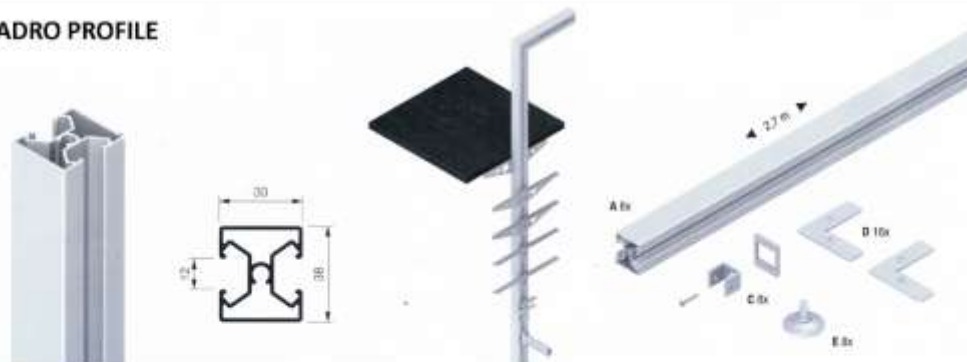
SPOT PROFILE



Spot Profile Angle Connector Wall Connector Shelf Support Lock Screw Spot Leg Adjustable



QUADRO PROFILE



Quadro Profile Angle Connector Wall Connector Shelf Support Lock Screw Spot Leg Adjustable



ACCESSORIES: ANGLE COLLECTOR, WALL CONNECTOR, ROFILE GLASS OR SHELVES LOCKING SYSTEM, SPOT LEGS ETC

SPOT & QUADRO PROFILES' ACCESSORIES





Item No.: SPT100
Description: Aluminim Spot leg



调节脚侧面(SIDE VIEW)



Item No.: SPOSP2000
Description: LATERAL SUPPORT



Item No.: SPOSP3000
Description: SHELF HOLDER

C) ROLLERS



Sistemas corredizos / Doble Sliding System / Double ITEM No.: 1103-037



16-19mm



25-30mm

Características:

- *Capacidad de carga: 25 kg por puerta.
- *Carretillas que cuentan con dos cuellos diferentes , según se utilicen para puertas de (16 a 19 mm) ó (25 a 30 mm).
- *Sistema de traslape

Characteristics :

- *Load capacity: 25 kg per Door.
- *Channels equipped with two different Necks, As used for Doors (16 to 19 mm) or (25 to 30 mm).
- *Overlap system

Closet Accessories

Sistemas corredizos / Sencillo
 Sliding System / Simple
 ITEM No.: 1103-036



16-19mm



25-30mm



Características:

- *Capacidad de carga: 25 kg por puerta.
- *Carretillas que cuentan con dos cuellos diferentes , según se utilicen para puertas de (16 a 19 mm) ó (25 a 30 mm).

Characteristics :

- *Load capacity: 25 kg per Door.
- *Channels equipped with two different Necks, As used for Doors (16 to 19 mm) or (25 to 30 mm).

Closet
 Accessories

SLIDING DOOR WHEELS SERIES



Item No.: KN000
Description: KN Wheel SET (KIT)



Item No.: R10XX000
Description: KN LOWER WHEEL



Item No.: RS0XX030
Description: Upper wheel

SLIDING DOOR WHEELS



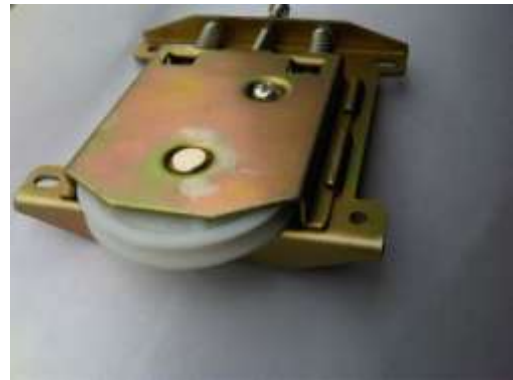
Item No.: RS0AC030
Description: Upper wheel



Item No.: RS0AC000
Description: Upper wheel



Item No.: RIOCL000



Item No.: RIOCL000 Female



Item No.: RIOEC000
Description: Lower wheel



Item No.: RI120
Description: Lower wheel

SLIDING DOOR WHEELS



Item No.: RS0LG030
Description: Upper wheel



Item No.: RS0MD000
Description: Upper wheel



Item No.: RI0XX210
Description: Lower wheel



Item No.: RI0XX200
Description: Lower wheel



Item No.: R10NO000
Description: Lower wheel



Item No.: RS0AV000
Description: Upper wheel

SLIDING DOOR WHEELS



Item No.: UP001
Description: Upper wheel



Item No.: UP002
Description: Upper wheel (Bearing)



Item No.: J01A
Description: sliding door set



Item No.: J02A
Description: sliding door set



Item No.: SP05
Description: ZAMAK WHEEL



Item No.: RI130
Description: sliding lower wheel

SLIDING DOOR WHEELS



Item No.: RS0OC030
Description: Upper wheel



Item No.: RS0XX030
Description: Upper wheel



Item No.: RI0OC120
Description: Lower wheel



Item No.: RI0XX000
Description: Lower wheel



Item No.: RI0OC120 Female
Description: Lower wheel



Item No.: RI0XX000 Female
Description: Lower wheel

SLIDING DOOR WHEELS



CHG260



UPPER WHEEL : WITH BEARING
LOWER WHEEL: THICNESS 2.90MM

SLIDING DOOR SYSTEM

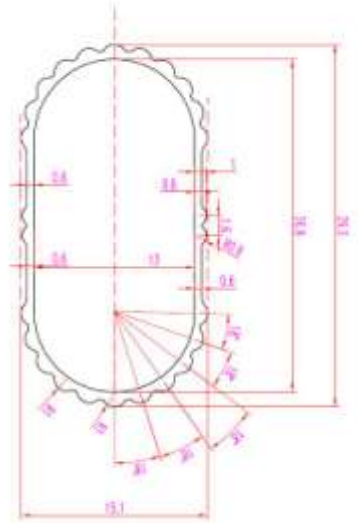
OUTER DOOR SLIDING SYSTEM
JHOPESC001



INNER DOOR SLIDING SYSTEM
JHOPISC001



WARDROBE RAIL



Item No.: DR05001
 Description: Wardrobe Rail (衣管)
 Finish: Silver & Golden



Item No.: DR03001
 Description: Wardrobe Rail Support
 Finish: Silver & Golden
 Size: match rail
 衣管托 (银色, 金色)

Item No.: DR03006
 Description: Wardrobe Rail Support
 Finish: Silver & Golden
 Size: match rail

WARDROBE RAIL SUPORT

WARDROBE RAIL SUP-



Chrome



Polish Brass



Mat Silver



White



Regular lay

Before assembling



Wardrobe Accessories

**WARDROBE RAIL SUP-
PORT**



Polish Brass

Original raw



White



Chrome



Regular lay



Wardrobe
Accessories

WARDROBE FITTINGS



REFERENCIA: DR040001
DESCRIPTION: WARDROBE LEVEL LEGS



REFERENCIA: SPORT000
TRANSPARENT
SIZE :75MM WITHOUT BREAK SYSTEM



REFERENCIA: SPORT100 TRANSPARENT
SIZE :75MM WITH BREAK SYSTEM

CABINET WHEELS

SOFA LEGS



Item No. : 656.26
SIZE: H55X60MM



Item No. : 1439.22
SIZE: H100X60



Item No. : 1439.44
SIZE: H100X20



Item No. : 1439.45
SIZE: H50X35



Item No. : 1439.46
SIZE: H100X140



Item No. : 1439.28
SIZE:
40x40X225MM



Item No. : 1439.69
SIZE:
40x40X225MM



Item No. : 1439.70
SIZE:
40x40X305MM



Item No. : 9048.548
SIZE:
DIA35X225MM



Item No. : 9034.549
SIZE:
DIA40X225MM



Item No. : 9034.552
SIZE:
DIA50X225MM

SOFA LEGS CHROME FINISH

DRAWERS

Aluminium Drawer



Finger touches the slim body

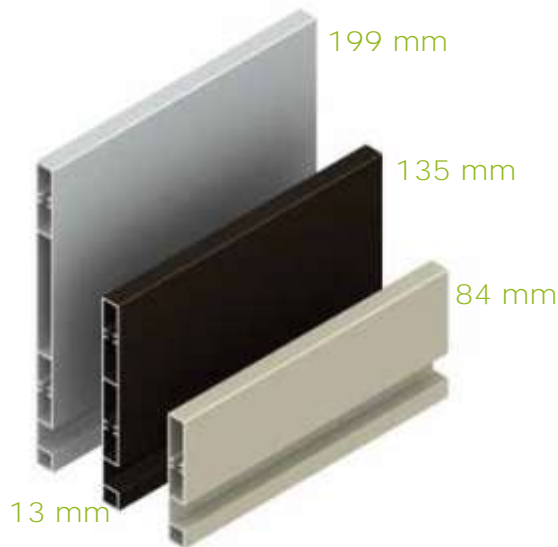
Enjoy the push open & soft closing function



Box depth 300,350,400,450,500,550 mm



Bathroom solutions



Room Solutions

Finish : Moka dark, brush nickel, champagne



FITTINGS FOR KITCHEN

Kitchen Cabinet Clip-on-door fixing

Slow motion



Vertical opening

Position Lays freely



Moka black

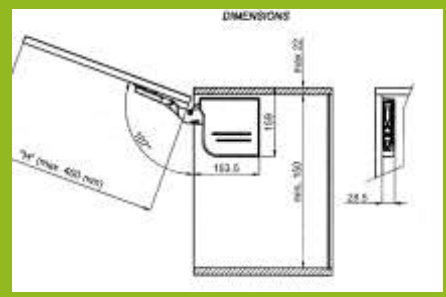
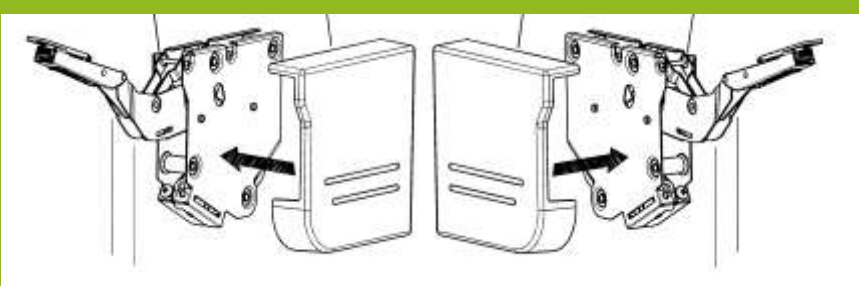


Satin grey

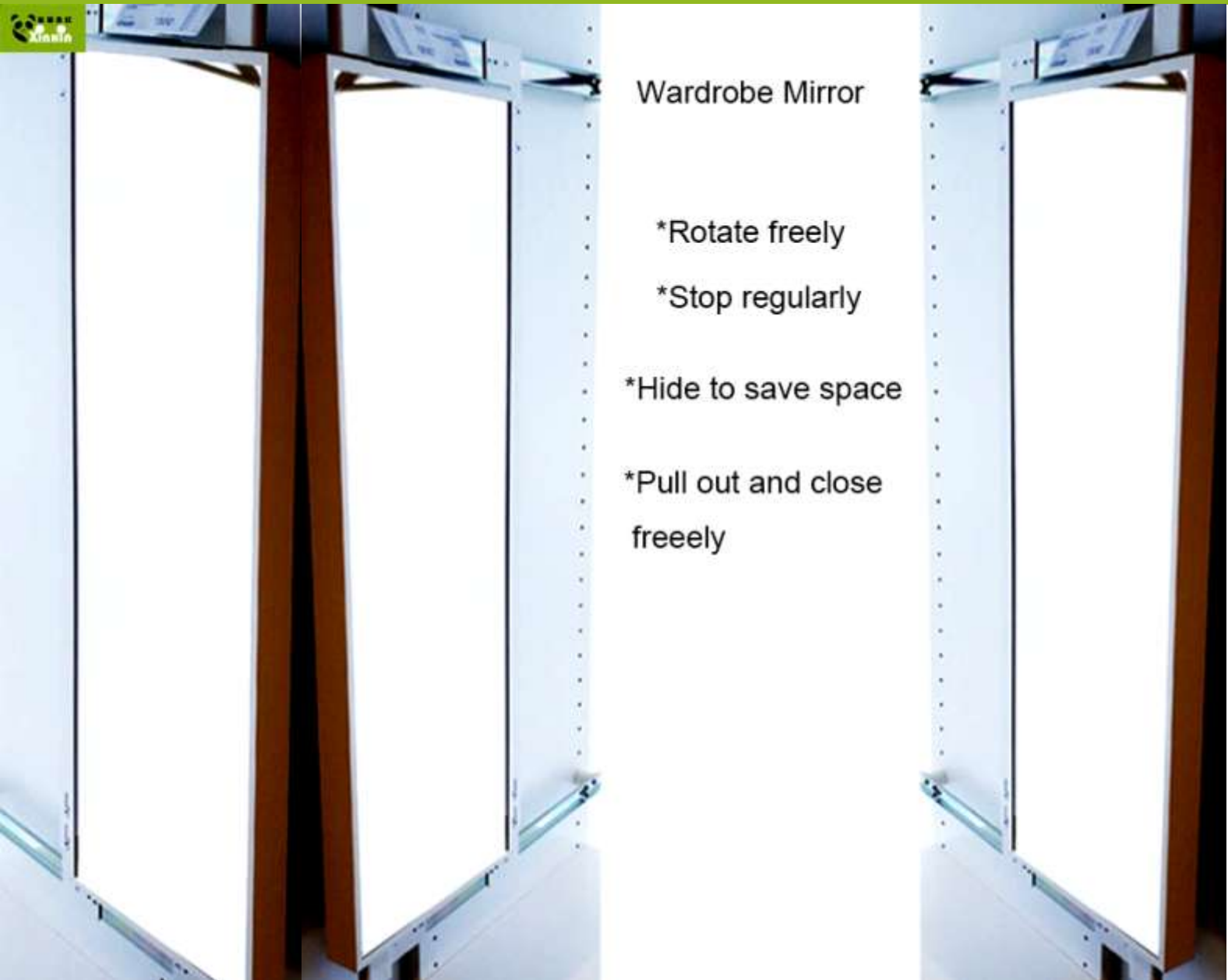


Ivory white

Instruction for left & right position & cover



WARDROBE MIRROR



Wardrobe Mirror

*Rotate freely

*Stop regularly

*Hide to save space

*Pull out and close
freely

Item No.: ET140

Description: WARDROBE PULL-OUT MIRROR

Finish: SILVER (衣柜镜)

Size: 30(W) X 120 (H)CM



*Wardrobe Mirror backside
can hang your ties and belt

*Can put the jewelry and
necklace, some other small
decorations.

* Rotate and stops regularly.



Item No.: ET140

Description: WARDROBE PULL-OUT MIRROR BACK

Finish: SILVER (衣柜镜)

Size: 30(W) X 120 (H)CM

FITTINGS FOR LOCKS' SYSTEM



Item No.: UNO lock parts
Description: Left



Item No.: UNO Lock parts
Description: Right)



Item No.: R001
Description: Right and left



Item No.: SCREW01
Description: screws

Xinxin Hardware Products Co.,Ltd

Wanhuxi Rd 70#,Shiwan Town, Boluo County, Huizhou City, Guangdong Province, China

Tel: +752 6618091 / 6918 092 Fax:+752 6918 097 Mobile:13502227784

Website: www.xinxinwujin.com

Email: genjohn@xinxinwujin.com , noya@iarmario.com

QQ.: 1055050907 whatsapp:13602757684 wechat: 13502227784

