



Home

RF Series

Phone Jacks
Series

DC Power
Jacks Series

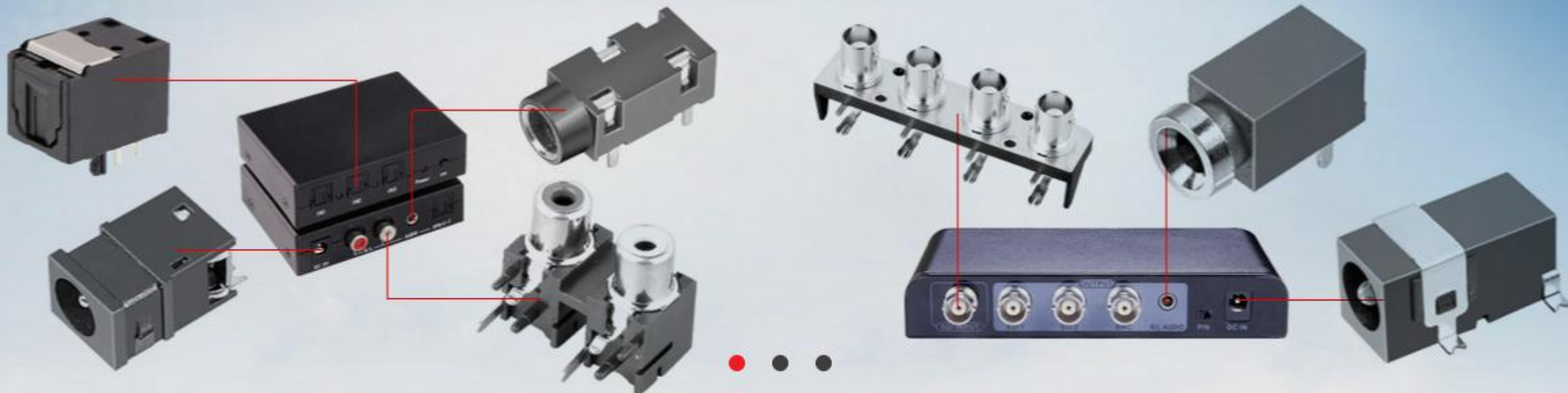
POF Series

Applications

News

About Us

Contact Us





BNC-ZA-006



SCB-2303VXP-001H



SCB-2303VXJ-001H



SCB-204-11R



SCB-204-11A



SCB-204-04A



SCB-204-02ZA



SCB-204-01A



SCB-203-11R

RF SERIES



RF-ZA-016



RF-ZA-017



RF-ZA-015



SCF-105-D



SCF-104-D



SCS-201-D



SCF-203-D



SCF-202-S



SCF-201-S

| 2.5/3.5 (SMT) PHONE JACKS SERIES



PJ-S3172



PJ-S3170



PJ-S3168



PJ-S3162



PJ-S3160



PJ-S3158



PJ-S3143C



PJ-S3143



PJ-S3142C

DC (SMT) POWER JACKS SERIES



DJ-S200A



DJ-S200



DJ-S108



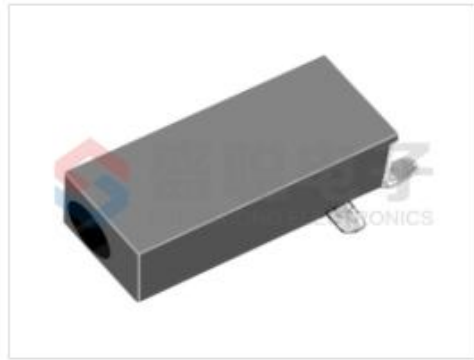
DJ-S106



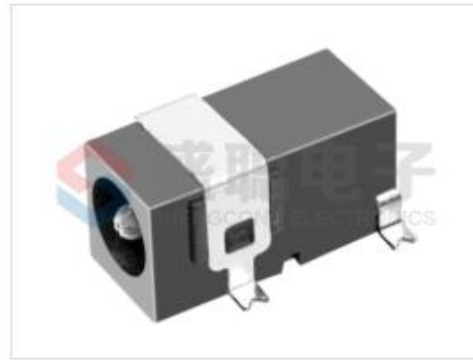
DJ-S104



DJ-S102



DJ-S098



DJ-S097



DJ-S088

2.5/3.5 (DIP) PHONE JACKS SERIES



PJ-D3048



PJ-D3053N



PJ-D3067



PJ-D3084



PJ-D3079



PJ-D3078



PJ-D3037A



PJ-D3048B



PJ-D3071

| DC (DIP) POWER JACKS SERIES



DJ-D046A



DJ-D046



DJ-D041



DJ-D044W



DJ-D020



DJ-D053



DJ-D304



DJ-D301B



DJ-D055

USB SERIES



SC-USB-3.1-D001



SC-USB-MIC-S002



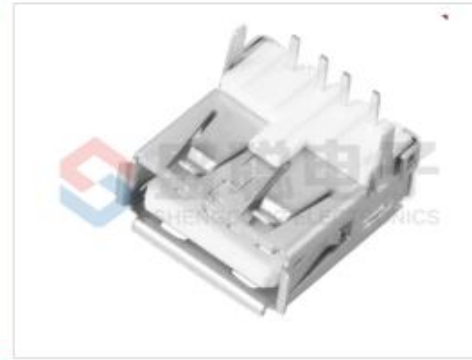
SC-USB-MIC-D001



SC-USB-MIC-S001



USB-5PF-B



USB D1P 001



USB A mother 90 single deck without...



USB, A, mother, 90D1P, side, vertic...



USB, AF, single layer, SMT, square ...

| RCA SERIES



SCR-4086VXA



SCR-4084VXA



SCR-4080VXB



SCR-4063VXB



SCR-4061V1B



SCR-4048VXB



SCR-4048V9B



SCR-4024VXB



SCR-4023VXB

Zinc alloy die-casting series



DJ-ZA-003



SCO-ZA-013



HDMI-ZA-001



SCO-ZA-015A



SCO-ZA-014



SCO-ZA-012



SCO-ZA-011



SCO-ZA-010



SCO-ZA-009



SC-OPTI-D003A



OC-0804



SC-OPTI-D002



SC-OPTI-D001



OC-0813



OC-0812



OC-0810T-001



OC-0808



OC-0803-6

| HDMI SERIES



SC-HDMI-D001



SC-HDMI-D002

| DC power DIN Connector



SC-MD-D001



JY-5033



JY-5032A



JY-5032



JY-5031